

x610 Series

LAYER 3+ NETWORK SWITCHES

The Allied Telesis x610 Series is the high performing and scalable solution for today's networks, providing an extensive range of port-density and uplink-connectivity options.

With a choice of 24-port and 48-port versions and optional 10 Gigabit uplinks, plus the ability to stack up to eight units, the x610 Series can connect anything from a small workgroup to a large business.

High Performing

The x610 Series features fully non-blocking switching on all ports, so IPv4 and IPv6 Layer 2 switching and Layer 3 routing occur at wirespeed with low latency. This is ideal for high-end server deployments, and, when combined with a large Layer 3 route table, for aggregating Gigabit connections.

Powerful Network Management

Meeting the increased management requirements of modern converged networks, Allied Telesis Management Framework (AMF) automates many everyday tasks including configuration management. The complete network can be managed as a single virtual device with powerful centralized management features. Growing the network can be accomplished with plug-and-play simplicity, and network node recovery is fully zero-touch.

Resilient

The x610 Series provides uninterrupted access to online applications by implementing a network with no single point of failure. Distributing resources across a stacked group of units means

no network downtime. A fully resilient solution is created with VCStack™ (Virtual Chassis Stacking), where up to eight units can form a single virtual chassis with dual connections to key servers and access switches. VCStack can be implemented in the same cabinet over copper cabling, or to remote locations using fiber.

Allied Telesis EPSRing™ (Ethernet Protection Switched Ring), technology provides a high performing resilient design for distributed networks. A high-speed solution where recovery occurs within as little as 50ms can be deployed in ring-based topologies. Several switches can form a protected ring, running at up to 10Gbps.

Scalable

The flexibility of the x610 Series, coupled with the ability to stack multiple units, ensures a future-proof network. The choice of 24-port and 48-port versions and Gigabit or 10 Gigabit uplink ports enables uplink bandwidth to be tailored to suit network applications. Expansion modules are available for local and long-distance stacking. Long-distance expansion modules can be configured to provide two additional 10G ports.

Flexible endpoint deployment is ensured with the ability to power devices such as IP phones, security cameras, and wireless access points directly from the



switch. This convergence of voice, video and data on today's networks is enabled by Power over Ethernet Plus (PoE+), which delivers the added benefit of reducing costs.

Secure

Multiple customers can have their own secure virtual network within the same physical infrastructure, as the x610 Series switches are able to divide a single router into multiple independent virtual routing domains. Layer 3 network virtualization provided by Virtual Routing and Forwarding (VRF Lite) creates independent routing domains, where IP addresses can overlap without causing conflict.

A secure network environment is guaranteed, with powerful control over network traffic types, secure management options, and other multi-layered security features built into the x610 Series switches.

New Features

- » Allied Telesis Management Framework (AMF)
- » BGP4+ for IPv6

VCStack™

EPSRing™

AMF™

Key Features

Allied Telesis Management Framework (AMF)

» Allied Telesis Management Framework (AMF) is a sophisticated suite of management tools that provide a simplified approach to network management. Common tasks are automated or made so simple that the every-day running of a network can be achieved without the need for highly-trained, and expensive, network engineers. Powerful features like centralized management, auto-backup, auto-upgrade, auto-provisioning and auto-recovery enable plug-and-play networking and zero-touch management.

VCStack (Virtual Chassis Stacking)

» Create a VCStack of up to eight units with 48Gbps of stacking bandwidth to each unit. Stacking links are connected in a ring so each device has dual connections to further improve resiliency. VCStack provides a highly available system where network resources are spread out across stacked units, reducing the impact if one of the units fails. Aggregating switch ports on different units across the stack provides excellent network resiliency.

Long-distance Stacking

» Long-distance stacking allows a VCStack to be created over longer distances, perfect for a distributed network environment.

EPSRing (Ethernet Protection Switched Ring)

» EPSRing and 10 Gigabit Ethernet allow several x610 switches to form a high-speed protected ring capable of recovery within as little as 50ms. This feature is perfect for high performance and high availability in enterprise networks.

» SuperLoop Protection (SLP) enables a link between two EPSR nodes to be in separate EPSR domains, improving redundancy and network fault resiliency.

Easy to Manage

» Allied Telesis x610 Layer 3+ switches run the advanced AlliedWare Plus™ Layer 3 fully featured operating system, delivering a rich feature set and an industry-standard CLI. In addition to the CLI, x610 switches feature a comprehensive GUI for easy access to monitoring and configuration.

Industry leading Quality of Service (QoS)

» Comprehensive low-latency wirespeed QoS provides flow-based traffic management with full classification, prioritization, traffic shaping and min/max bandwidth profiles. Enjoy boosted network performance and guaranteed delivery of business-critical Ethernet services and applications. Time-critical services such as voice and video take precedence over non-essential services such as file downloads, maintaining responsiveness of Enterprise applications.

Power over Ethernet Plus (PoE+)

» With PoE, a separate power connection to media endpoints such as IP phones and wireless access points is not necessary. PoE+ provides even greater flexibility, providing the capability to connect devices requiring more power (up to 30 Watts)—for example, tilt and zoom security cameras.

» Build a redundant PoE+ high-availability solution using VCStack and additional RPS units. See the x610 PSU PoE options table on page 5 for details.

Link Layer Discovery Protocol—Media Endpoint Discovery (LLDP—MED)

» LLDP-MED extends LLDP basic network endpoint discovery and management functions. LLDP-MED allows for media endpoint specific messages, providing detailed information on power requirements, network policy, location discovery (for Emergency Call Services) and inventory.

Open Shortest Path First (OSPFv3)

» OSPF is a scalable and adaptive routing protocol for IP networks. The addition of OSPFv3 adds support for IPv6 and further strengthens the Allied Telesis focus on next generation networking.

Network Access Control (NAC)

» NAC allows exceptional control over user access to the network, to mitigate threats to network infrastructure. Allied Telesis x610 switches use IEEE 802.1x port-based authentication in partnership with standards-compliant dynamic VLAN assignment, to assess a user's adherence to network security policies, and then either grant access or offer remediation.

» If multiple users share a port, multi-authentication can be used. Different users on the same port can be assigned to different VLANs, and so given different levels of network access. Additionally, a guest VLAN can be configured to provide a catch-all for users who aren't authenticated.

sFlow

» sFlow is an industry standard technology for monitoring high-speed switched networks. It provides complete visibility into network use, enabling performance optimization, usage accounting/billing, and defense against security threats. Sampled packets sent to a collector ensure it always has a real-time view of network traffic.

Dynamic Host Configuration Protocol (DHCPv6)

» DHCPv6 is used to dynamically assign IPv6 addresses to hosts from a central location. Acting as DHCPv6 client enables the switch to receive an IPv6 address, and acting as server enables the switch to dynamically allocate IPv6 addresses to hosts. The DHCPv6 server and client both support the Prefix Delegation feature which allocates a whole IPv6 subnet to a DHCP client. The client, in turn, can allocate addresses from this subnet to the hosts that are connected to it.

Virtual Router Redundancy Protocol (VRRPv3)

» VRRPv3 is a protocol for providing device redundancy, by connecting redundant WAN gateway routers or server access switches in an IPv6 network. It allows a backup router or switch to automatically take over if the primary (master) router or switch fails.

Energy Efficient Ethernet (EEE)

» The x610 Series supports Energy Efficient Ethernet (EEE), which automatically reduces the power consumed by the switch whenever there is no traffic on a port. This sophisticated feature can significantly reduce your operating costs by reducing the power requirements of the switch and any associated cooling equipment.



Key Solutions

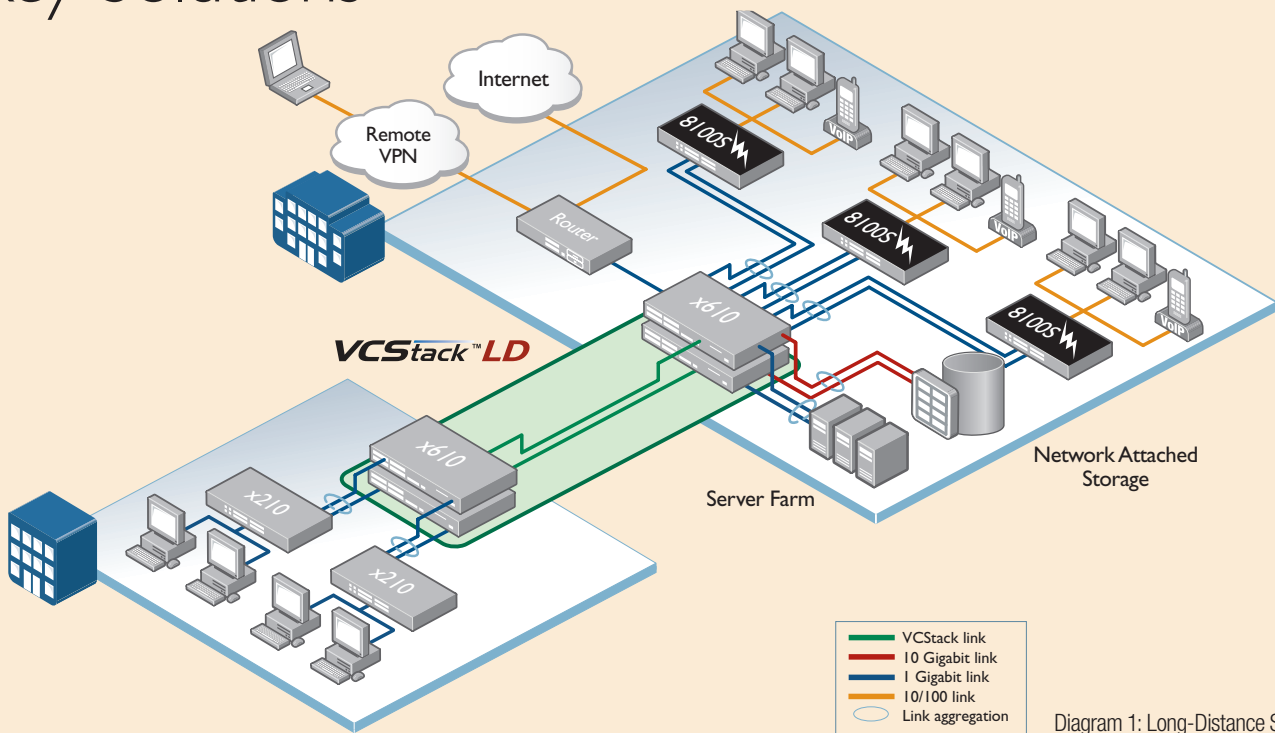


Diagram 1: Long-Distance Stacking

Distributed Core

VCStack LD (Long Distance) enables the VCStack solution to provide a distributed network core. The increased distance provided by fiber stacking connectivity means that members of the virtual chassis do not need to be co-located. Instead, they can be kilometers apart. Diagram 1 shows an example of a long distance stack, where the single virtual distributed core ensures high availability of data for network users.

Network Virtualization

Virtual Routing and Forwarding (VRF Lite) allows multiple customers to share a common infrastructure, while maintaining their own independent virtual routing domains. Individual customers can take advantage of shared resources such as printers and Internet access via filtered inter-VRF communication, while maintaining absolute security. See diagram 2.

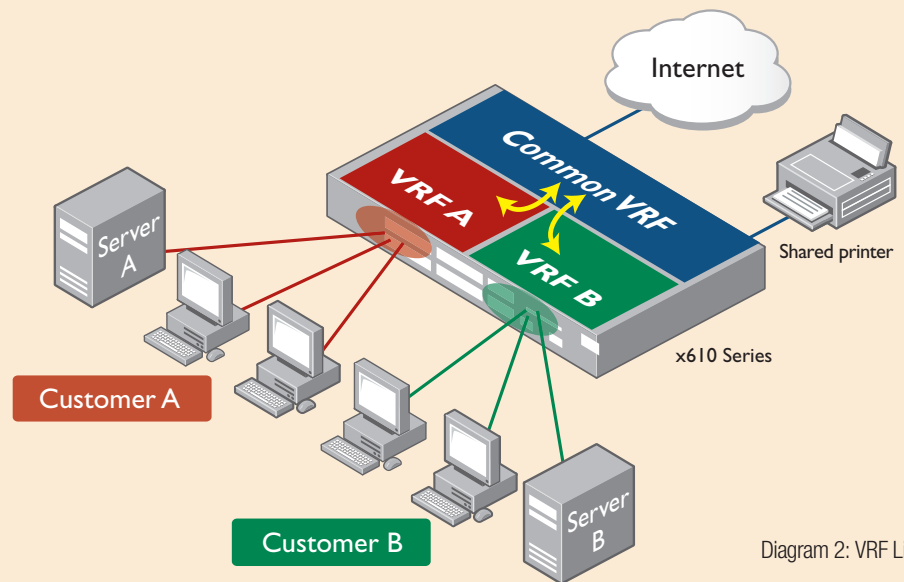


Diagram 2: VRF Lite

Specifications

PRODUCT	10/100/1000T (RJ-45) COPPER PORTS	100/1000X SFP PORTS	SFP AND 10/100/1000 COMBO PORTS	TOTAL GIGABIT PORTS	10 GIGABIT SFP+ PORTS	MAX POE+ PORTS	SWITCHING FABRIC	FORWARDING RATE
AT-x610-24Ts	20	-	4	24	-	2*	-	96Gbps 71.4Mpps
AT-x610-24Ts-POE+	20	-	4	24	-	24	96Gbps	71.4Mpps
AT-x610-24Ts/X	20	-	4	24	2	4*	-	136Gbps 101.2Mpps
AT-x610-24Ts/X-POE+	20	-	4	24	2	24	136Gbps	101.2Mpps
AT-x610-24SPs/X	-	20	4	24	2	4*	-	136Gbps 101.2Mpps
AT-x610-48Ts	44	-	4	48	-	2*	-	144Gbps 107.1Mpps
AT-x610-48Ts-POE+	44	-	4	48	-	48	144Gbps	107.1Mpps
AT-x610-48Ts/X	46	-	2	48	2	4*	-	184Gbps 136.9Mpps
AT-x610-48Ts/X-POE+	46	-	2	48	2	48	184Gbps	136.9Mpps

* with AT-x6EM/XS2 module in standalone switch

Performance

- » 48Gbps of stacking bandwidth
- » Supports 9KB jumbo frames
- » Wirespeed multicasting
- » Up to 32K MAC addresses
- » 8K Layer 3 entries
- » 512MB DDR SDRAM
- » 64MB flash memory
- » Packet buffer memory: AT-x610-24Ts - 2MB
AT-x610-48Ts - 4MB

Reliability

- » Modular AlliedWare Plus operating system
- » Redundant power supply available to load share with internal power supply, providing uninterrupted power and extra reliability
- » Full environmental monitoring of PSUs, fans, temperature and internal voltages. SNMP traps alert network managers in case of any failure

Expandability

- » One expansion bay
- » Stackable up to eight x610 units in a VCStack
- » IPv6 routing license option
- » Advanced Layer 3 license option

Flexibility and Compatibility

- » Mix up to four x600 and x610 units in the same VCStack
- » Gigabit SFP combo ports support any combination of 1000T, 1000X SFPs, 1000SX, 1000LX, 1000ZX or 1000ZX CWDM SFPs
- » SFP ports on AT-x610-24SPs/X support any combination of 10/100/1000T, 100FX, 100BX, 1000SX, 1000LX, 1000ZX or 1000ZX CWDM SFPs

Diagnostic Tools

- » Built-In Self Test (BIST)
- » Hardware health monitoring
- » Automatic link flap detection and port shutdown
- » Optical Digital Diagnostic Monitoring (DDM)
- » Ping polling for IPv4 and IPv6
- » Port mirroring
- » TraceRoute for IPv4 and IPv6

IPv4 Features

- » Black hole routing
- » Directed broadcast forwarding
- » DNS relay

- » Equal Cost Multi Path (ECMP) routing
- » Policy-based routing
- » Route maps and route redistribution (OSPF, BGP, RIP)
- » IPv4 static unicast and multicast routing
- » UDP broadcast helper (IP helper)
- » Up to 64 Virtual Routing and Forwarding (VRF lite) domains (with license)

IPv6 Features

- » DHCPv6 relay, DHCPv6 client
- » DNSv6 relay, DNSv6 client
- » IPv4 and IPv6 dual stack
- » IPv6 QoS and hardware ACLs
- » Device management over IPv6 networks with SNMPv6, Telnetv6, SSHv6 and Syslogv6
- » NTPv6 client and server
- » IPv6 static unicast and multicast routing

Management

- » Allied Telesis Management Framework (AMF) enables powerful centralized management and zero-touch device installation and recovery
- » Console management port on the front panel for ease of access
- » Eco-friendly mode allows ports and LEDs to be disabled to save power
- » Web-based Graphical User Interface (GUI)
- » Industry-standard CLI with context-sensitive help
- » SD/SDHC memory card socket allows software release files, configurations and other files to be stored for backup and distribution to other devices
- » Powerful CLI scripting engine
- » Configurable logs and triggers provide an audit trail of SD card insertion and removal
- » Comprehensive SNMP MIB support for standards-based device management
- » Built-in text editor
- » Event-based triggers allow user-defined scripts to be executed upon selected system events

Quality of Service (QoS)

- » 8 priority queues with a hierarchy of high priority queues for real time traffic, and mixed scheduling, for each switch port
- » Limit bandwidth per port or per traffic class down to 64kbps
- » Wirespeed traffic classification with low latency essential for VoIP and real-time streaming media applications

- » Flow control optimized for iSCSI traffic
- » Policy-based QoS based on VLAN, port, MAC and general packet classifiers
- » Policy-based storm protection
- » Extensive remarking capabilities
- » Taildrop for queue congestion control
- » Strict priority, weighted round robin or mixed scheduling
- » IP precedence and DiffServ marking based on layer 2, 3 and 4 headers

Resiliency

- » Stacking ports can be configured as 10G Ethernet ports
- » Control Plane Prioritization (CPP) ensures the CPU always has sufficient bandwidth to process network control traffic
- » Dynamic link failover (host attach)
- » EPSRing (Ethernet Protection Switched Rings) with SuperLoop Protection (SLP)
- » EPSR enhanced recovery for extra resiliency
- » Long-Distance stacking (LD-VCStack)
- » Loop protection: loop detection and thrash limiting
- » PVST+ compatibility mode
- » STP root guard
- » VCStack fast failover minimizes network disruption

Security

- » Access Control Lists (ACLs) based on layer 3 and 4 headers
- » Configurable auth-fail and guest VLANs
- » Authentication, Authorisation and Accounting (AAA)
- » Bootloader can be password protected for device security
- » BPDU protection
- » DHCP snooping, IP source guard and Dynamic ARP Inspection (DAI)
- » DoS attack blocking and virus throttling
- » Dynamic VLAN assignment
- » MAC address filtering and MAC address lock-down
- » Network Access and Control (NAC) features manage endpoint security
- » Port-based learn limits (intrusion detection)
- » Private VLANs provide security and port isolation for multiple customers using the same VLAN
- » Secure Copy (SCP)
- » Strong password security and encryption

x610 Series | Layer 3+ Network Switches

» Tri-authentication: MAC-based, web-based and IEEE 802.1x

Environmental Specifications

- » Operating temperature range: 0°C to 45°C (32°F to 113°F)
Derated by 1°C per 305 meters (1,000 ft)
Operation up to 50°C (122°F) for limited period(s) †
- » Storage temperature range: -25°C to 70°C (-13°F to 158°F)
- » Operating relative humidity range: 5% to 90% non-condensing

- » Storage relative humidity range: 5% to 95% non-condensing
- » Operating altitude: 3,048 meters maximum (10,000 ft)
- » Front-to-back forced air cooling

Electrical Approvals and Compliances

- » EMC: EN55022 class A, FCC class A, VCCI class A
- » Immunity: EN55024, EN61000-3-levels 2 (Harmonics), and 3 (Flicker) – AC models only

† Not more than the following in a one year period:
96 consecutive hours, or 360 hours total or 15 occurrences

Safety

- » Standards: UL60950-1, CAN/CSA-C22.2 No. 60950-1-03, EN60950-1, EN60825-1, AS/NZS 60950.1
- » Certification: UL, cUL, TUV

Restrictions on Hazardous Substances (RoHS) Compliance

- » EU RoHS compliant
- » China RoHS compliant

Country of Origin

- » Singapore

Physical Specifications

PRODUCT	WIDTH	DEPTH	HEIGHT	MOUNTING	WEIGHT	
					UNPACKAGED	PACKAGED
AT-x610-24Ts	440 mm (17.32 in)	420 mm (16.54 in)	44 mm (1.73 in)	Rack-mount	6.3 kg (13.89 lb)	8.8 kg (19.4 lb)
AT-x610-24Ts-POE+	440 mm (17.32 in)	420 mm (16.54 in)	44 mm (1.73 in)	Rack-mount	5.6 kg (12.35 lb)	7.6 kg (16.76 lb)
AT-x610-24Ts/X	440 mm (17.32 in)	420 mm (16.54 in)	44 mm (1.73 in)	Rack-mount	6.3 kg (13.89 lb)	9.7 kg (21.38 lb)
AT-x610-24Ts/X-POE+	440 mm (17.32 in)	420 mm (16.54 in)	44 mm (1.73 in)	Rack-mount	5.6 kg (12.35 lb)	7.6 kg (16.76 lb)
AT-x610-24SPs/X	440 mm (17.32 in)	420 mm (16.54 in)	44 mm (1.73 in)	Rack-mount	6.6 kg (14.55 lb)	9.2 kg (20.3 lb)
AT-x610-48Ts	440 mm (17.32 in)	420 mm (16.54 in)	44 mm (1.73 in)	Rack-mount	6.7 kg (14.77 lb)	9.0 kg (19.84 lb)
AT-x610-48Ts-POE+	440 mm (17.32 in)	420 mm (16.54 in)	44 mm (1.73 in)	Rack-mount	6.0 kg (13.23 lb)	7.8 kg (17.2 lb)
AT-x610-48Ts/X	440 mm (17.32 in)	420 mm (16.54 in)	44 mm (1.73 in)	Rack-mount	6.8 kg (14.99 lb)	9.8 kg (21.61 lb)
AT-x610-48Ts/X-POE+	440 mm (17.32 in)	420 mm (16.54 in)	44 mm (1.73 in)	Rack-mount	6.0 kg (13.23 lb)	8.5 kg (18.74 lb)
AT-RPS3000	440 mm (17.32 in)	360 mm (14.17 in)	44 mm (1.73 in)	Rack-mount	4.3 kg (9.48 lb)	6.1 kg (13.45 lb)
AT-PWR250 AC	150 mm (5.9 in)	27.5 mm (10.83 in)	42 mm (1.65 in)	Internal	1.5 kg (3.31 lb)	2.7 kg (5.95 lb)
AT-PWR250 DC	150 mm (5.9 in)	27.5 mm (10.83 in)	42 mm (1.65 in)	Internal	1.5 kg (3.31 lb)	2.7 kg (5.95 lb)
AT-PWR800	150 mm (5.9 in)	27.5 mm (10.83 in)	42 mm (1.65 in)	Internal	1.8 kg (3.97 lb)	2.9 kg (6.39 lb)
AT-PWR1200	150 mm (5.9 in)	330 mm (13 in)	42 mm (1.65 in)	Internal	2.2 kg (4.85 lb)	4.5 kg (9.92 lb)
AT-x6EM/XS2	150 mm (5.9 in)	95 mm (3.74 in)	30 mm (1.18 in)	Internal	0.2 kg (0.44 lb)	0.5 kg (1.1 lb)
AT-StackXG	150 mm (5.9 in)	95 mm (3.74 in)	30 mm (1.18 in)	Internal	0.2 kg (0.44 lb)	0.5 kg (1.1 lb)

Power and Noise Characteristics

PRODUCT	INTERNAL PSU OR AT-PWR250 (NO PoE LOAD)			AT-PWR800 (FULL PoE+ LOAD)			AT-PWR1200 (FULL PoE+ LOAD)		
	MAX POWER CONSUMPTION	MAX HEAT DISSIPATION	NOISE	MAX POWER CONSUMPTION	MAX HEAT DISSIPATION	NOISE	MAX POWER CONSUMPTION	MAX HEAT DISSIPATION	NOISE
AT-x610-24Ts	81W	299 BTU/hr	51.2 dBA	-	-	-	-	-	-
AT-x610-24Ts-POE+	87W	297 BTU/hr	51.2 dBA	632W	519 BTU/hr	51.8 dBA	930W	717 BTU/hr	-
AT-x610-24Ts/X	89W	304 BTU/hr	51.2 dBA	-	-	-	-	-	-
AT-x610-24Ts/X-POE+	92W	314 BTU/hr	51.2 dBA	636W	532 BTU/hr	51.8 dBA	935W	734 BTU/hr	-
AT-x610-24SPs/X	108W	368 BTU/hr	51.2 dBA	-	-	-	-	-	-
AT-x610-48Ts	112W	382 BTU/hr	51.2 dBA	-	-	-	-	-	-
AT-x610-48Ts-POE+	119W	406 BTU/hr	51.2 dBA	673W	659 BTU/hr	51.8 dBA	1,027W	843 BTU/hr	-
AT-x610-48Ts/X	120W	409 BTU/hr	51.2 dBA	-	-	-	-	-	-
AT-x610-48Ts/X-POE+	125W	427 BTU/hr	51.2 dBA	681W	686 BTU/hr	51.8 dBA	1,034W	867 BTU/hr	-

Noise tested to ISO7779; front bystander position

PSU PoE Options

POWER SUPPLY UNIT	PoE POWER AVAILABLE	MAXIMUM PoE PORTS SUPPORTED			
		CLASS 1 (4.0 W)	CLASS 2 (7.0 W)	CLASS 3 (15.4 W)	CLASS 4 (30 W)
AT-PWR250	-	-	-	-	-
AT-PWR800	480W	48	48	31	16
AT-PWR1200	780W	48	48	48	26

Latency (microseconds)

PRODUCT	PORT SPEED			
	10MBPS	100MBPS	1GBPS	10GBPS
AT-x610-24Ts	80.0µs	10.6µs	4.2µs	-
AT-x610-24Ts/X	80.0µs	10.6µs	4.2µs	3.4µs
AT-x610-24SPs/X	80.0µs	10.6µs	4.2µs	3.1µs
AT-x610-48Ts	79.3µs	10.6µs	4.2µs	-
AT-x610-48Ts/X	79.3µs	10.7µs	4.2µs	4.9µs

Standards and Protocols**AlliedWare Plus Operating System**

Version 5.4.4

Authentication

BGP dynamic capability	
BGP outbound route filtering	
RFC 1772	Application of the Border Gateway Protocol (BGP) in the Internet
RFC 1997	BGP communities attribute
RFC 2385	Protection of BGP sessions via the TCP MD5 signature option
RFC 2439	BGP route flap damping
RFC 2545	Use of BGP-4 multiprotocol extensions for IPv6 inter-domain routing
RFC 2858	Multiprotocol extensions for BGP-4
RFC 2918	Route refresh capability for BGP-4
RFC 3392	Capabilities advertisement with BGP-4
RFC 3882	Configuring BGP to block Denial-of-Service (DoS) attacks
RFC 4271	Border Gateway Protocol 4 (BGP-4)
RFC 4360	BGP extended communities
RFC 4456	BGP route reflection - an alternative to full mesh iBGP
RFC 4724	BGP graceful restart
RFC 4893	BGP support for four-octet AS number space
RFC 5065	Autonomous system confederations for BGP

Encryption

FIPS 180-1	Secure Hash standard (SHA-1)
FIPS 186	Digital signature standard (RSA)
FIPS 46-3	Data Encryption Standard (DES and 3DES)

Ethernet

IEEE 802.1AX	Link aggregation (static and LACP)
IEEE 802.2	Logical Link Control (LLC)
IEEE 802.3	Ethernet
IEEE 802.3ab	1000BASE-T
IEEE 802.3ad	Static and dynamic link aggregation
IEEE 802.3ae	10 Gigabit Ethernet
IEEE 802.3af	Power over Ethernet (PoE)
IEEE 802.3at	Power over Ethernet plus (PoE+)
IEEE 802.3az	Energy Efficient Ethernet (EEE)
IEEE 802.3u	100BASE-X
IEEE 802.3x	Flow control - full-duplex operation
IEEE 802.3z	1000BASE-X

IPv4 Standards

RFC 768	User Datagram Protocol (UDP)
RFC 791	Internet Protocol (IP)
RFC 792	Internet Control Message Protocol (ICMP)
RFC 793	Transmission Control Protocol (TCP)
RFC 826	Address Resolution Protocol (ARP)
RFC 894	Standard for the transmission of IP datagrams over Ethernet networks
RFC 919	Broadcasting Internet datagrams
RFC 922	Broadcasting Internet datagrams in the presence of subnets
RFC 932	Subnetwork addressing scheme
RFC 950	Internet standard subnetting procedure
RFC 951	Bootstrap Protocol (BootP)
RFC 1027	Proxy ARP
RFC 1035	DNS client
RFC 1042	Standard for the transmission of IP datagrams over IEEE 802 networks
RFC 1071	Computing the Internet checksum
RFC 1122	Internet host requirements
RFC 1191	Path MTU discovery
RFC 1256	ICMP router discovery messages
RFC 1518	An architecture for IP address allocation with CIDR
RFC 1519	Classless Inter-Domain Routing (CIDR)
RFC 1542	Clarifications and extensions for BootP
RFC 1591	Domain Name System (DNS)
RFC 1812	Requirements for IPv4 routers
RFC 1918	IP addressing
RFC 2581	TCP congestion control

IPv6 Standards

RFC 1981	Path MTU discovery for IPv6
RFC 2460	IPv6 specification
RFC 2464	Transmission of IPv6 packets over Ethernet networks
RFC 3056	Connection of IPv6 domains via IPv4 clouds
RFC 3484	Default address selection for IPv6
RFC 3596	DNS extensions to support IPv6
RFC 4007	IPv6 scoped address architecture
RFC 4193	Unique local IPv6 unicast addresses
RFC 4291	IPv6 addressing architecture
RFC 4443	Internet Control Message Protocol (ICMPv6)
RFC 4861	Neighbor discovery for IPv6
RFC 4862	IPv6 Stateless Address Auto-Configuration (SLAAC)
RFC 5014	IPv6 socket API for source address selection
RFC 5095	Deprecation of type 0 routing headers in IPv6
RFC 5175	IPv6 Router Advertisement (RA) flags option
RFC 6105	IPv6 Router Advertisement (RA) guard

Management

AMF MIB and SNMP traps	
AT Enterprise MIB	
SNMPv1, v2c and v3	
IEEE 802.1AB	Link Layer Discovery Protocol (LLDP)
RFC 1155	Structure and identification of management information for TCP/IP-based Internets
RFC 1157	Simple Network Management Protocol (SNMP)
RFC 1212	Concise MIB definitions
RFC 1213	MIB for network management of TCP/IP-based Internets: MIB-II
RFC 1215	Convention for defining traps for use with the SNMP
RFC 1227	SNMP MUX protocol and MIB
RFC 1239	Standard MIB
RFC 1724	RIPv2 MIB extension
RFC 2011	SNMPv2 MIB for IP using SMIv2
RFC 2012	SNMPv2 MIB for TCP using SMIv2
RFC 2013	SNMPv2 MIB for UDP using SMIv2
RFC 2096	IP forwarding table MIB
RFC 2578	Structure of Management Information v2 (SMIv2)
RFC 2579	Textual conventions for SMIv2
RFC 2580	Conformance statements for SMIv2
RFC 2674	Definitions of managed objects for bridges with traffic classes, multicast filtering and VLAN extensions
RFC 2741	Agent extensibility (AgentX) protocol
RFC 2787	Definitions of managed objects for VRRP
RFC 2819	RMON MIB (groups 1,2,3 and 9)
RFC 2863	Interfaces group MIB
RFC 3164	Syslog protocol
RFC 3176	sFlow: a method for monitoring traffic in switched and routed networks
RFC 3411	An architecture for describing SNMP management frameworks
RFC 3412	Message processing and dispatching for the SNMP
RFC 3413	SNMP applications
RFC 3414	User-based Security Model (USM) for SNMPv3
RFC 3415	View-based Access Control Model (VACM) for SNMP
RFC 3416	Version 2 of the protocol operations for the SNMP
RFC 3417	Transport mappings for the SNMP
RFC 3418	MIB for SNMP
RFC 3621	Power over Ethernet (PoE) MIB
RFC 3635	Definitions of managed objects for the Ethernet-like interface types
RFC 3636	IEEE 802.3 MAU MIB
RFC 4188	Definitions of managed objects for bridges
RFC 4318	Definitions of managed objects for bridges with RSTP
RFC 4560	Definitions of managed objects for remote ping, traceroute and lookup operations
RFC 6527	Definitions of managed objects for VRRPv3

Multicast Support

Bootstrap Router (BSR) mechanism for PIM-SM	
IGMP query solicitation	
IGMP snooping (IGMPv1, v2 and v3)	
IGMP snooping fast-leave	
IGMP/MLD multicast forwarding (IGMP/MLD proxy)	
MLD snooping (MLDv1 and v2)	
PIM for IPv6	
RFC 1112	Host extensions for IP multicasting (IGMPv1)
RFC 2236	Internet Group Management Protocol v2 (IGMPv2)
RFC 2710	Multicast Listener Discovery (MLD) for IPv6
RFC 2715	Interoperability rules for multicast routing protocols
RFC 3376	IGMPv3
RFC 3810	Multicast Listener Discovery v2 (MLDv2) for IPv6
RFC 3973	PIM Dense Mode (DM)
RFC 4541	IGMP and MLD snooping switches
RFC 4601	Protocol Independent Multicast - Sparse Mode (PIM-SM): protocol specification (revised)
RFC 4604	Using IGMPv3 and MLDv2 for source-specific multicast
RFC 4607	Source-specific multicast for IP

Open Shortest Path First (OSPF)

OSPF link-local signaling	
OSPF MD5 authentication	
OSPF restart signaling	
Out-of-band LSDB resync	
RFC 1245	OSPF protocol analysis
RFC 1246	Experience with the OSPF protocol
RFC 1370	Applicability statement for OSPF
RFC 1765	OSPF database overflow
RFC 2328	OSPFv2
RFC 2370	OSPF opaque LSA option
RFC 2740	OSPFv3 for IPv6
RFC 3101	OSPF Not-So-Stubby Area (NSSA) option
RFC 3509	Alternative implementations of OSPF area border routers
RFC 3623	Graceful OSPF restart
RFC 3630	Traffic engineering extensions to OSPF
RFC 4552	Authentication/confidentiality for OSPFv3
RFC 5329	Traffic engineering extensions to OSPFv3

Quality of Service (QoS)

IEEE 802.1p	Priority tagging
RFC 2211	Specification of the controlled-load network element service
RFC 2474	DiffServ precedence for eight queues/port
RFC 2475	DiffServ architecture
RFC 2597	DiffServ Assured Forwarding (AF)
RFC 2697	A single-rate three-color marker
RFC 2698	A two-rate three-color marker
RFC 3246	DiffServ Expedited Forwarding (EF)

Resiliency

IEEE 802.1D	MAC bridges
IEEE 802.1s	Multiple Spanning Tree Protocol (MSTP)
IEEE 802.1w	Rapid Spanning Tree Protocol (RSTP)
RFC 5798	Virtual Router Redundancy Protocol version 3 (VRRPv3) for IPv4 and IPv6

Routing Information Protocol (RIP)

RFC 1058	Routing Information Protocol (RIP)
RFC 2080	RIPng for IPv6
RFC 2081	RIPng protocol applicability statement
RFC 2082	RIP-2 MD5 authentication
RFC 2453	RIPv2

Security

SSH remote login
SSLv2 and SSLv3
TACACS+ accounting and authentication
IEEE 802.1X authentication protocols (TLS, TTLS, PEAP and MD5)
IEEE 802.1X multi-suplicant authentication

x610 Series | Layer 3+ Network Switches

- IEEE 802.1X port-based network access control
- RFC 2246 TLS protocol v1.0
- RFC 2865 RADIUS
- RFC 2866 RADIUS accounting
- RFC 2868 RADIUS attributes for tunnel protocol support
- RFC 3546 Transport Layer Security (TLS) extensions
- RFC 3579 RADIUS support for Extensible Authentication Protocol (EAP)
- RFC 3580 IEEE 802.1x RADIUS usage guidelines
- RFC 3748 PPP Extensible Authentication Protocol (EAP)
- RFC 4251 Secure Shell (SSHv2) protocol architecture
- RFC 4252 Secure Shell (SSHv2) authentication protocol
- RFC 4253 Secure Shell (SSHv2) transport layer protocol
- RFC 4254 Secure Shell (SSHv2) connection protocol

Services

- RFC 854 Telnet protocol specification
- RFC 855 Telnet option specifications
- RFC 857 Telnet echo option
- RFC 858 Telnet suppress go ahead option
- RFC 1091 Telnet terminal-type option
- RFC 1350 Trivial File Transfer Protocol (TFTP)
- RFC 1985 SMTP service extension
- RFC 2049 MIME
- RFC 2131 DHCPv4 (server, relay and client)
- RFC 2132 DHCP options and BootP vendor extensions
- RFC 2554 SMTP service extension for authentication
- RFC 2616 Hypertext Transfer Protocol - HTTP/1.1
- RFC 2821 Simple Mail Transfer Protocol (SMTP)
- RFC 2822 Internet message format
- RFC 3046 DHCP relay agent information option (DHCP option 82)
- RFC 3315 DHCPv6 (server, relay and client)
- RFC 3633 IPv6 prefix options for DHCPv6
- RFC 3646 DNS configuration options for DHCPv6
- RFC 3993 Subscriber-ID suboption for DHCP relay agent option
- RFC 4330 Simple Network Time Protocol (SNTP) version 4
- RFC 5905 Network Time Protocol (NTP) version 4

VLAN Support

- Generic VLAN Registration Protocol (GVRP)
- IEEE 802.1ad Provider bridges (VLAN stacking, Q-in-Q)
- IEEE 802.1Q Virtual LAN (VLAN) bridges
- IEEE 802.1v VLAN classification by protocol and port
- IEEE 802.3ac VLAN tagging

Voice over IP (VoIP)

- LLDP-MED ANSI/TIA-1057
- Voice VLAN

Ordering Information

Feature Licenses

NAME	DESCRIPTION	INCLUDES
AT-FL-x610-01	x610 advanced Layer 3 license	<ul style="list-style-type: none"> » OSPF¹ » PIM-SM, DM and SSM » BGP4 » VLAN double tagging (Q-in-Q) » VRF Lite
AT-FL-x610-02	x610 IPv6 pack	<ul style="list-style-type: none"> » RIPng » OSPFv3 » BGP4+ for IPv6 » PIMv6-SM » MLDv1 and v2
AT-FL-RADIUS-FULL	Increase local RADIUS server support limits ²	<ul style="list-style-type: none"> » 5000 users » 1000 NAS

¹ The standard switch software supports 64 OSPF routes. The advanced Layer 3 license supports 12K OSPF routes.

² 100 users and 24 NAS can be stored in local RADIUS database with base software.

x610 Series

AT-x610-24Ts-60

24-port Gigabit switch with 20 x 10/100/1000T (RJ-45) copper ports and 4 additional combo ports (1000X SFP or 10/100/1000T), internal PSU



AT-x610-24Ts-POE+-00

24-port Gigabit switch with 20 x 10/100/1000T (RJ-45) Power over Ethernet (IEEE 802.3at) copper ports and 4 additional combo ports (1000X SFP or 10/100/1000T), removable PSU (PSU not included)



AT-x610-24Ts/X-60

24-port Gigabit switch with 20 x 10/100/1000T (RJ-45) copper ports, 4 additional combo ports (1000X SFP or 10/100/1000T) and 2 x SFP+ 10 Gigabit ports, internal PSU



AT-x610-24Ts/X-PoE+-00

24-port Gigabit switch with 20 x 10/100/1000T (RJ-45) Power over Ethernet (IEEE 802.3at) copper ports, 4 additional combo ports (1000X SFP or 10/100/1000T) and 2 x SFP+ 10 Gigabit ports, removable PSU (PSU not included)



AT-x610-24SPs/X-60

24-port Gigabit switch with 20 x 100/1000X (SFP) ports, 4 additional combo ports (1000X SFP or 10/100/1000T) and 2 x SFP+ 10 Gigabit ports, internal PSU



AT-x610-48Ts-60

48-port Gigabit switch with 44 x 10/100/1000T (RJ-45) copper ports and 4 additional combo ports (1000X SFP or 10/100/1000T), internal PSU



AT-x610-48Ts-POE+-00

48-port Gigabit switch with 44 x 10/100/1000T (RJ-45) Power over Ethernet (IEEE 802.3at) copper ports and 4 additional combo ports (1000X SFP or 10/100/1000T), removable PSU (PSU not included)



AT-x610-48Ts/X-60

48-port Gigabit switch with 46 x 10/100/1000T (RJ-45) copper ports, 2 additional combo ports (1000X SFP or 10/100/1000T) and 2 x SFP+ 10 Gigabit ports, internal PSU



AT-x610-48Ts/X-PoE+-00

48-port Gigabit switch with 46 x 10/100/1000T (RJ-45) Power over Ethernet (IEEE 802.3at) copper ports, 2 additional combo ports (1000X SFP or 10/100/1000T) and 2 x SFP+ 10 Gigabit ports, removable PSU (PSU not included)



x610 Series | Layer 3+ Network Switches



Expansion Modules

AT-x6EM/XS2-00

Expansion module (2 x SFP+) for long distance stacking or two additional 10GbE ports

AT-StackXG-00

Expansion module with one AT-StackXG/0.5-00 cable included



Cables

AT-StackXG/0.5-00

0.5 meter cable for stacking

AT-StackXG/1-00

1 meter cable for stacking

AT-SPI0TW1

1 meter SFP+ direct attach cable

AT-SPI0TW3

3 meter SFP+ direct attach cable

AT-SPI0TW7

7 meter SFP+ direct attach cable



10GbE SFP+ Modules

AT-SPI0SR

10GSR 850 nm short-haul, 300 m with MMF

AT-SPI0LR

10GLR 1310 nm medium-haul, 10 km with SMF

AT-SPI0LR/I

10GLR 1310 nm medium-haul, 10 km with SMF industrial temperature

AT-SPI0LRM

10GLR 1310 nm medium-haul, 10 km with MMF

AT-SPI0ER40/I

10GER 1310nm long-haul, 40km with SMF industrial temperature

AT-SPI0ZR80/I

10GER 1550nm long-haul, 80 km with SMF industrial temperature

100Mbps SFP Modules

AT-SPFX/2

100FX multi-mode 1310 nm fiber up to 2 km

AT-SPFX/I5

100FX single-mode 1310 nm fiber up to 15 km

AT-SPFXBD-LC-13

100BX Bi-Di (1310 nm Tx, 1550 nm Rx) fiber up to 10 km

AT-SPFXBD-LC-15

100BX Bi-Di (1550 nm Tx, 1310nm Rx) fiber up to 10 km

1000Mbps SFP Modules

AT-SPTX

1000T 100 m copper

AT-SPSX

1000SX GbE multi-mode 850 nm fiber up to 550 m

AT-SPSX/I

1000SX GbE multi-mode 850 nm fiber up to 550 m industrial temperature

AT-SPEX

1000X GbE multi-mode 1310 nm fiber up to 2 km

AT-SPLX10

1000LX GbE single-mode 1310 nm fiber up to 10 km

AT-SPLX10/I

1000LX GbE single-mode 1310 nm fiber up to 10 km industrial temperature

AT-SPBD10-13

1000LX GbE Bi-Di (1310 nm Tx, 1490 nm Rx) fiber up to 10 km

AT-SPBD10-14

1000LX GbE Bi-Di (1490 nm Tx, 1310 nm Rx) fiber up to 10 km

AT-SPLX40

1000LX GbE single-mode 1310 nm fiber up to 40 km

AT-SPZX80

1000ZX GbE single-mode 1550 nm fiber up to 80 km



PoE Power Supplies

AT-PWR800-xx

Additional 800W AC system and PoE+ power supply

AT-PWR1200-xx

Additional 1200W AC system and PoE+ power supply

Where xx = 10 for US power cord
20 for no power cord
30 for UK power cord
40 for Australian power cord
50 for European power cord

Power Supply Accessories

AT-RPS3000-00

Chassis for up to two redundant power supplies (PSUs not included)

AT-PWR250-xx

Additional 250W AC system power supply

AT-PWR250-80

Additional 250W DC system power supply

AT-RPS-CBL1.0

1 meter RPS cable



the solution : the network

North America Headquarters | 19800 North Creek Parkway | Suite 100 | Bothell | WA 98011 | USA | T: +1 800 424 4284 | F: +1 425 481 3895

Asia-Pacific Headquarters | 11 Tai Seng Link | Singapore | 534182 | T: +65 6383 3832 | F: +65 6383 3830

EMEA & CSA Operations | Incheonweg 7 | I437 EK Rozenburg | The Netherlands | T: +31 20 7950020 | F: +31 20 7950021

alliedtelesis.com

© 2014 Allied Telesis, Inc. All rights reserved. Information in this document is subject to change without notice. All company names, logos, and product designs that are trademarks or registered trademarks are the property of their respective owners.
617-000470 Rev 0