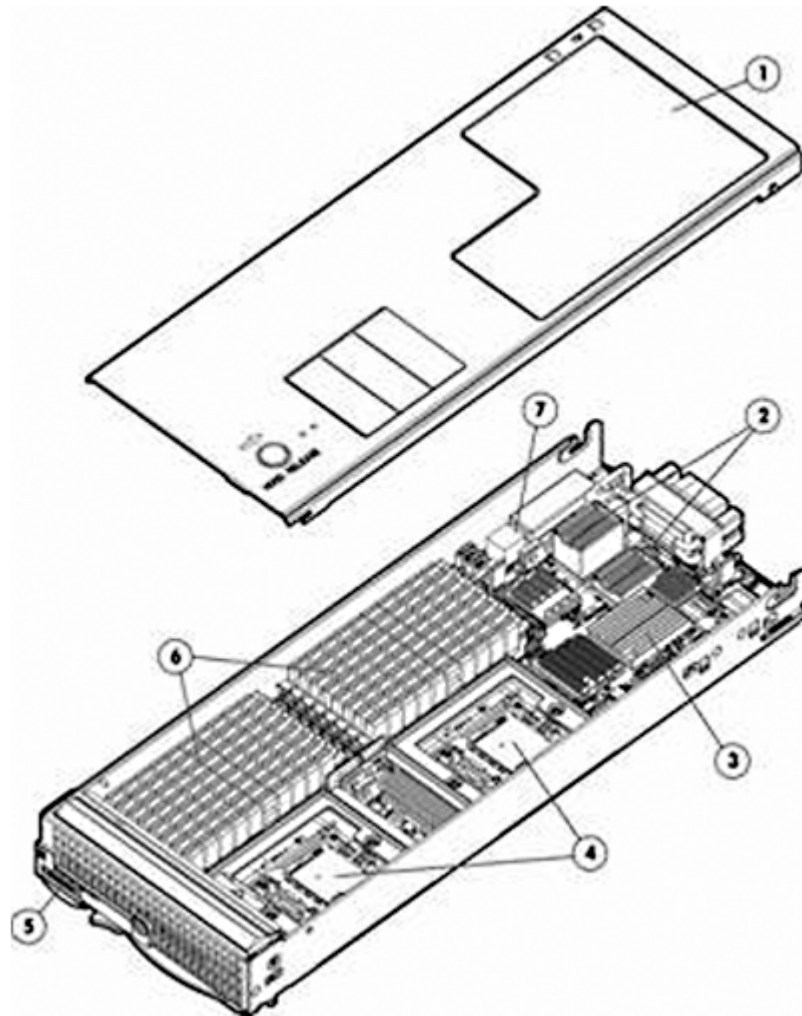


Overview



HP ProLiant BL495c Generation 5 (G5) Server Blade

- | | |
|--|---|
| 1. Access panel | 5. Local I/O connector |
| 2. Two (2) mezzanine I/O expansion slots | 6. Sixteen (16) PC2-5300 Registered DIMM (DDR2-667) or PC2-6400 Registered DIMM (DDR2-800) memory slots |
| 3. Embedded dual port Flex-10 10GbE multifunction server adapter | 7. Internal USB connector |
| 4. Up to two (2) AMD Opteron™ 2300 Series processors | |

What's New

- Support for HP NC550m 10GbE 2-port PCIe x8 Flex-10 Ethernet Adapter

At A Glance

This document covers the HP ProLiant BL495c G5 server blade only. For more information on HP BladeSystem c-Class Infrastructure and HP BladeSystem c-Class Interconnect and Mezzanine Components, please see the following QuickSpecs:

- HP BladeSystem c3000 Enclosure QuickSpecs:
http://h18000.www1.hp.com/products/quickspecs/12790_div/12790_div.html
- HP BladeSystem c7000 Enclosure QuickSpecs:
http://h18000.www1.hp.com/products/quickspecs/12810_div/12810_div.html

Overview

- HP BladeSystem c-Class Interconnect and Mezzanine Components:
<http://h18004.www1.hp.com/products/blades/components/c-class-interconnects.html>
<http://h18004.www1.hp.com/products/blades/components/c-class-adapters.html>

The HP ProLiant BL495c G5 Server Blade virtualization blade eliminates the performance bottlenecks of a virtual machine host. Engineered with more memory and I/O than any other half-height blade server, this world's first virtualization blade maximizes the number and performance of VMs that you can deploy per blade.

HP ProLiant BL495c G5 server blade includes:

- **Processor:**
 - Up to two (2) Quad-Core AMD Opteron™ 2300 series processors
 - Supports up to 2.9 GHz, 2.2 GHz HyperTransport™; 512 KB Level 2 cache memory per core; 6 MB Level 3 cache
 - Supports up to 2.3 GHz, 1 GHz HyperTransport™; 512 KB Level 2 cache memory per core; 2 MB Level 3 cache
 - Dual-Link AMD HyperTransport connection between processors for maximum performance
 - AMD Dual Dynamic Power Management™ for optimum performance and reduced power consumption
 - ServerWorks HT-1000 and HT-2100 chipsets
- **Memory:**
 - Up to 128 GB of memory, supported by sixteen (16) slots of PC2-5300 Registered DIMMs at 667MHz or 64GB of memory, supported by sixteen (16) slots of PC2-6400 Registered DIMMs at 800MHz
 - Supporting memory interleaving (2:1)
NOTE: The memory bus will operate at 800 MHz with four (4) or fewer DIMMs per processor, 667 MHz with six (6) DIMMs per processor, and 533 MHz with eight (8) DIMMs per processor.
- **Storage Controller:**
 - HP Embedded SATA Controller
NOTE: RAID functionality requires the use of an optional Smart Array mezzanine card. See the Storage Controller options section below.
- **Internal Drive Support:**
 - Up to two (2) non-hot plug SATA Solid State Drives (SSD)
 - With an attached SB40c Storage Blade, up to six (6) hot plug SFF Serial Attached SCSI (SAS) or SATA Hard Drives (optional)
- **Network Controller:**
 - Embedded NC532i Dual Port Flex-10 10GbE Multifunction Server Adapter
NOTE: Flex-10 capability requires the use of an HP Virtual Connect Flex-10 10Gb Ethernet module. Learn more at: www.hp.com/go/virtualconnect.
NOTE: Each port is autosensing 1Gb/10Gb, and can interoperate with 1Gb HP BladeSystem c-Class interconnect components.
 - One (1) additional 10/100 server adapter dedicated to iLO 2 Management
- **Mezzanine Support:**
 - Two (2) I/O expansion mezzanine slots
 - Supports up to two (2) mezzanine cards
 - Dual-Port Fibre Channel Mezzanine (4-Gb or 8-Gb) options for SAN connectivity
 - iSCSI Ethernet mezzanine option for optimized iSCSI connectivity
 - Ethernet server adapter mezzanine options for additional network ports
 - 4X DDR InfiniBand (IB) Mezzanine (20 Gb/s) options for low latency server interconnectivity (based on Mellanox technology)
 - I/O Accelerator mezzanine options for high transaction rate local storage
- **Internal USB Support:**
 - One (1) internal USB 2.0 connector for security key devices and USB drive keys
- **Form Factor:**
 - HP ProLiant BL495c G5 server blade plugs into the BladeSystem c3000 and c7000 enclosures
- **Infrastructure Management:**
 - This server blade requires the latest version of the Onboard Administrator firmware. This firmware release may also require other subsystem firmware upgrades. For information on the latest firmware versions, please see the Blades Firmware Maintenance website at:
<http://h18004.www1.hp.com/products/blades/components/c-class-compmatrix.html>
 - HP Integrated Lights-Out 2 (iLO 2) management processor for simplified server setup, health monitoring and

Overview

recovery, power and thermal control, and lights-out remote administration.

- HP Insight Control, a product option, delivers essential infrastructure management that can help save time and money by making it easy to deploy, migrate, monitor, control and optimize your IT infrastructure through a single, simple management console. Insight Control supports both Windows and Linux-based central management servers.
- HP Insight Dynamics for ProLiant, a product option, is an integrated command center that enables IT Staff personnel to continuously analyze and optimize a converged infrastructure, while automating and reducing the cost of common data center tasks by as much as 40 percent. This ultimately enables them to dynamically keep pace with the organization's changing business requirements.
- **Operating Systems and Virtualization Software:**
 - Supports Windows, RHEL, SLES, OEL, VMware ESX, Citrix XenServer
- **Enclosures:**
 - HP offers three different c-Class server blade enclosures to meet your individual needs:
 - The HP BladeSystem c7000 rack enclosure is 10U high and holds up to sixteen (16) ProLiant BL495c G5 servers plugged vertically.
 - The HP BladeSystem c3000 rack enclosure is 6U high and holds up to eight (8) HP ProLiant BL495c G5 servers plugged horizontally.
 - The HP BladeSystem c3000 tower enclosure is designed with casters for sites without racks and holds up to eight (8) HP ProLiant BL495c G5 servers plugged vertically.
 - Server blades, storage blades, and interconnect modules are all designed to fit into the c7000 and c3000 enclosures.
 - For additional enclosure information, please see <http://h18004.www1.hp.com/products/ blades/ components/ enclosures/ c-class/ index.html>.
- **Warranty:**
 - This product is covered by a global limited warranty and supported by HP Services and a worldwide network of HP Authorized Channel Partners. Hardware diagnostic support and repair is available for three years from date of purchase. Support for software and initial setup is available for 90 days from date of purchase. Enhancements to warranty services are available through HP Care Pack services or customized service agreements. Hard drives have either a one year or three year warrant; refer to the specific hard drive QuickSpecs for details.
NOTE: Server warranty includes 3-year Parts, 3- year Labor, 3-year on-site support. Warranty repairs may be accomplished through the use of Customer Self Repair (CSR) parts. These parts fall into two categories: 1) Mandatory CSR parts are designed for easy replacement. A travel and labor charge will result when customers decline to replace a Mandatory CSR part; 2) Optional CSR parts are also designed for easy replacement but may involve added complexity. Customers may choose to have HP replace Optional CSR parts at no charge. Additional information regarding worldwide limited warranty and technical support is available at: <http://h18004.www1.hp.com/products/ servers/ platforms/ warranty/ index.html>

Standard Features

NOTE: For the Standard Features shipped in the "Factory Integrated Models", please see the "Configuration Information - Factory Integrated Models" section.

Processor	<p>Quad-Core Processors</p> <p>AMD Opteron™ processor Model 2389 (2.9 GHz, 6 MB L3 Cache, 75W ACP)</p> <p>AMD Opteron processor Model 2387 (2.8 GHz, 6 MB L3 Cache, 75W ACP)</p> <p>NOTE: Offered through Configure-To-Order process only. See Factory Integration Models section for more details.</p> <p>AMD Opteron processor Model 2384 (2.7 GHz, 6 MB L3 Cache, 75W ACP)</p> <p>AMD Opteron processor Model 2382 (2.6 GHz, 6 MB L3 Cache, 75W ACP)</p> <p>NOTE: Offered through Configure-To-Order process only. See Factory Integration Models section for more details.</p> <p>AMD Opteron processor Model 2378 (2.4 GHz, 6 MB L3 Cache, 75W ACP)</p> <p>AMD Opteron processor Model 2356 (2.3 GHz, 2 MB L3 Cache, 75W ACP)</p> <p>AMD Opteron processor Model 2352 (2.1 GHz, 2 MB L3 Cache, 75W ACP)</p> <p>Low Power AMD Opteron processor Model 2381 HE (2.5 GHz, 6 MB L3 Cache, 55W ACP)</p> <p>NOTE: Offered through Configure-To-Order process only. See Factory Integration Models section for more details.</p> <p>Low Power AMD Opteron processor Model 2376 HE (2.3 GHz, 6 MB L3 Cache, 55W ACP)</p> <p>NOTE: Offered through Configure-To-Order process only. See Factory Integration Models section for more details.</p> <p>Low Power AMD Opteron processor Model 2347 HE (1.9 GHz, 2 MB L3 Cache, 55W ACP)</p> <p>NOTE: AMD Opteron 2300 series processors are 64-bit, quad-core, and support AMD Virtualization™.</p> <p>NOTE: Processor wattage references reflect Average CPU Power (ACP). For more information on ACP visit: http://www.amd.com/powernow.</p>
------------------	---

Upgradeability	Upgradeable to dual (2) processors
-----------------------	------------------------------------

Cache Memory	512 KB Level 2 cache memory per core 2 MB or 6 MB Level 3 cache memory
---------------------	---

Chipset	ServerWorks HT-1000 and HT-2100
----------------	---------------------------------

Memory	<table border="0"> <tr> <td>Type</td> <td>PC2-5300 DDR2 Registered DIMMs at 667 MHz PC2-6400 DDR2 Registered DIMMs at 800MHz</td> </tr> <tr> <td>Standard</td> <td>4 GB (2 x 2 GB)</td> </tr> <tr> <td>Maximum</td> <td>128 GB (16 x 8 GB) at 533 MHz</td> </tr> </table> <p>NOTE: Memory must be installed in pairs.</p> <p>NOTE: PC2-6400 DDR2 DIMMs are only supported with the AMD Opteron processor Models 2376 HE, 2378, 2381 HE, 2382, 2384, 2387, 2389, 2425 HE, 2427, and 2435.</p> <p>NOTE: PC2-5300 DDR2 DIMMs in 8 GB capacities are supported with the AMD Opteron processor Models 2347 HE, 2352, 2356, 2376 HE, 2378, 2381 HE, 2382, 2384, 2387, 2389, 2425 HE, 2427, and 2435.</p> <p>NOTE: PC2-5300 DDR2 DIMMs in 1 GB, 2 GB, and 4 GB capacities are only supported with the AMD Opteron processor Models 2347 HE, 2352, and 2356.</p> <p>NOTE: The memory bus will operate at 800 MHz with four (4) or fewer DIMMs per processor, 667 MHz with six (6) DIMMs per processor, and 533 MHz with eight (8) DIMMs per processor.</p>	Type	PC2-5300 DDR2 Registered DIMMs at 667 MHz PC2-6400 DDR2 Registered DIMMs at 800MHz	Standard	4 GB (2 x 2 GB)	Maximum	128 GB (16 x 8 GB) at 533 MHz
Type	PC2-5300 DDR2 Registered DIMMs at 667 MHz PC2-6400 DDR2 Registered DIMMs at 800MHz						
Standard	4 GB (2 x 2 GB)						
Maximum	128 GB (16 x 8 GB) at 533 MHz						

Standard Features

Network Controller	<p>Embedded NC532i Dual Port Flex-10 10GbE Multifunction Server Adapter</p> <p>NOTE: Flex-10 capability requires the use of an HP Virtual Connect Flex-10 10Gb Ethernet module. Learn more at: www.hp.com/go/virtualconnect.</p> <p>NOTE: The iSCSI offload feature of the embedded multifunction adapter requires the HP Accelerated iSCSI Pack. For more information, please see the QuickSpecs at: http://h18000.www1.hp.com/products/quickspecs/12466_div/12466_div.html</p> <p>One (1) additional 10/100 server adapter dedicated to iLO 2 management</p>								
I/O Expansion Slots	Two (2) I/O expansion mezzanine slots (One x8 and one x4 PCI Express)								
Integrated Manageability	HP Integrated Lights-Out 2 (iLO 2) management processor								
Storage Controller	<p>HP Embedded SATA Controller (for connecting to non-hot plug SATA SDD only)</p> <p>NOTE: RAID functionality requires the use of an optional Smart Array mezzanine card. See the Storage Controller options section below.</p>								
Maximum Internal Storage	<table border="0"> <tr> <td style="padding-right: 20px;">Non-Hot Plug SATA (SATA) SSD</td> <td style="padding-right: 20px;">128GB</td> <td style="padding-right: 20px;">2 x 64GB SATA SSD</td> </tr> <tr> <td>Hot Plug SFF SAS (with 1.8TB optional SB40c Storage Blade attached)</td> <td></td> <td>6 x 300GB Hot Plug SAS</td> </tr> </table>	Non-Hot Plug SATA (SATA) SSD	128GB	2 x 64GB SATA SSD	Hot Plug SFF SAS (with 1.8TB optional SB40c Storage Blade attached)		6 x 300GB Hot Plug SAS		
Non-Hot Plug SATA (SATA) SSD	128GB	2 x 64GB SATA SSD							
Hot Plug SFF SAS (with 1.8TB optional SB40c Storage Blade attached)		6 x 300GB Hot Plug SAS							
Graphics	Integrated ATI RN-50 1280 x 1024 x 16M color (32 MB DDR1 memory)								
Graphics Resolution Supported	<table border="0"> <tr> <td style="padding-right: 10px;">Resolution</td> <td>1280 x 1024, 16.7M, 64k, 256, 16</td> </tr> <tr> <td style="padding-right: 10px;">Color</td> <td>1024 x 768, 16.7M, 64k, 256, 16</td> </tr> <tr> <td style="padding-right: 10px;">Depths</td> <td>800 x 600, 16.7M, 64k, 256, 16</td> </tr> <tr> <td></td> <td>640 x 480, 16.7M, 64k, 256, 16</td> </tr> </table>	Resolution	1280 x 1024, 16.7M, 64k, 256, 16	Color	1024 x 768, 16.7M, 64k, 256, 16	Depths	800 x 600, 16.7M, 64k, 256, 16		640 x 480, 16.7M, 64k, 256, 16
Resolution	1280 x 1024, 16.7M, 64k, 256, 16								
Color	1024 x 768, 16.7M, 64k, 256, 16								
Depths	800 x 600, 16.7M, 64k, 256, 16								
	640 x 480, 16.7M, 64k, 256, 16								
Fibre Channel Support	<p>Two (2) optional dual-port Fibre Channel HBAs are supported by the HP ProLiant BL495c G5. Each mezzanine circuit board connects directly to the server blade system board. These Fibre Channel HBAs are available via option kits and must be ordered separately.</p> <p>HBA mezzanine card option kits:</p> <p>Emulex LPe1105 4Gb Fibre Channel Host Bus Adapter for c-Class BladeSystem (PN 403621-B21)</p> <ul style="list-style-type: none"> ● Based on the same field-proven ASIC, firmware, and driver technology as Emulex's renowned LPe1150 HBA, the Emulex LPe1105-HP is fully driver compatible with all Emulex HBAs <p>QLogic QMH2462 4Gb Fibre Channel Host Bus Adapter for c-Class BladeSystem (PN 403619-B21)</p> <ul style="list-style-type: none"> ● Uses common drivers which means that customers can standardize on one QLogic driver whether they are using the QMH2462 or other HBAs powered by QLogic <p>Emulex and QLogic Fibre Channel HBAs for HP BladeSystem c-Class feature:</p> <ul style="list-style-type: none"> ● Optimal performance utilizing PCI Express ● ● 								

Standard Features

- 4/2/1Gb/s auto negotiating speeds (4Gb HBAs)
- Dual-ports for redundant path connections
- Up to two FC HBAs per server blade providing redundant FC HBA support
- Optimized for HP StorageWorks and supported by third party SAN vendors
- Support for Microsoft® Windows® and Linux operating system environments

Compatible SAN HP ProLiant BL495c G5 server blades are optimized for HP StorageWorks MSA, EVA, and XP HP ProLiant BL495c G5 server blades are compatible with select 3rd party SANs (please see blade storage page for more details:
<http://h18004.www1.hp.com/products/blades/components/c-class-sans.html>)

HP Virtual Connect HP Virtual Connect simplifies server connectivity to LANs and SANs, and reduces costs. Unique HP Flex-10 technology makes maximum use of 10Gb Ethernet bandwidth by allowing multiple ports within a single Industry Standard connection that can be dynamically tuned to meet individual server requirements. HP Virtual Connect Enterprise Manager (VCEM) provides a central console to administer connections and workloads for thousands of servers. For more information on Virtual Connect Ethernet, Fibre Channel and management options see:
www.hp.com/go/virtualconnect

HP Insight management software HP Insight Foundation Managing the growing number of servers can be complex and expensive for your organization. IT managers need to address changing business needs with tools that meet the challenges of managing today's complex Datacenters.

HP provides management solutions that are designed to simplify a server's installation, configuration and maintenance throughout the entire server lifecycle. This provides the customer with higher levels of operational efficiency and highly reliable systems:
www.hp.com/go/foundation.

The foundation pack includes:

- HP Management DVD
- HP ProLiant Smart Update Firmware DVD
- SmartStart version supported (minimum): SmartStart 8.1.
<http://www.hp.com/servers/smartstart>

NOTE: In an effort to support reducing our environmental impact, the HP Insight Foundation Suite for ProLiant media will be available as a selectable option for this server at time of order of a CTO SKU. This will allow customers to order the number of media kits that best meet their needs and eliminate receiving unnecessary duplicate media.

HP Integrated Lights-Out (iLO) HP Integrated Lights-Out (iLO) simplifies server setup, health monitoring, power and thermal control, and lights-out remote administration of ProLiant ML, DL, and BL servers. HP iLO functions without additional software and can be accessed from any location via a web browser. HP iLO works hand-in-hand with HP Systems Insight Manager, Insight Control suites, and Insight Dynamics for ProLiant, helping customers unleash the value of the ProLiant platform and deliver the highest possible quality of IT service. For more information, visit: www.hp.com/go/iLO

HP Insight Control HP Insight Control, a product option, delivers essential infrastructure management that can help save time and money by making it easy to deploy, migrate, monitor, remote control, and optimize your IT infrastructure through a single, simple management console.

Standard Features

Two versions of Insight Control are available, to serve environments requiring either a Linux-based or a Windows-based central management server: HP Insight Control for Linux, and HP Insight Control. See www.hp.com/go/insightcontrol

HP Insight Control includes one year of 24 x 7 HP Software Technical Support and Update Service ensuring rapid access to HP support staff and proactive delivery of software updates. For more information about this service, please visit: <http://www.hp.com/services/insight>.

HP Insight Dynamics for ProLiant

HP Insight Dynamics for ProLiant, a product option, is an integrated command center that enables IT Staff personnel to continuously analyze and optimize a converged infrastructure, while automating and reducing the cost of common data center tasks by as much as 40 percent. As a powerfully integrated by design toolkit to accelerate complex technology projects and simplify daily operations that ultimately enable IT Staff personnel to dynamically keep pace with the organizations changing business requirements. It enables them to plan capacity and power continuously, balance across physical and virtual resources, and ensure cost-effective high availability. It also enables IT organizations to provision infrastructure consistently and automatically from pools of shared resources using a self-service portal. Resources provisioned can range from a single virtual machine to complex multi-tier environments and their associated physical and virtual resource requirements. In addition to the previous functional benefits, it also provides a cost-effective disaster recovery for physical and virtual environments that works with HP StorageWorks Continuous Access software for both the Enterprise Virtual Array and the XP storage array allowing application environments to be reactivated in minutes with the touch of a button to a remote location.

NOTE: For more information, visit: <http://www.hp.com/go/insightdynamics>

High Performance Clusters

HP Cluster Platforms

HP Cluster Platforms are specifically engineered, factory-integrated large-scale ProLiant clusters optimized for High Performance Computing, with a choice of servers, networks and software. Operating system options include specially priced offerings for Red Hat Enterprise Linux and Novell SLES, as well as Microsoft Windows HPC Server. A Cluster Platform Configurator simplifies ordering. <http://www.hp.com/go/clusters>

HP HPC Interconnects

High Performance Computing (HPC) interconnect technologies are available for this server as part of the HP Cluster Platform portfolio. These high-speed InfiniBand and Gigabit interconnects are fully supported by HP when integrated within an HP cluster. Flexible, validated solutions can be defined with the help of configuration tools. <http://www.hp.com/techservers/clusters/ucp/index.html>

HP Cluster Management Utility

HP Cluster Management Utility (CMU) is an HP-licensed and HP-supported suite of tools that are used to manage large-scale Linux ProLiant systems. CMU includes software for the centralized provisioning, management and monitoring of nodes. CMU makes the administration of clusters user friendly, efficient, and effective. <http://www.hp.com/go/cmu>

HP HPC Linux Value Pack

HP HPC Linux Value Pack (Value Pack) is an HP-licensed and HP-supported specially priced software bundle for the development and



Standard Features

deployment of applications on HPC Cluster Platforms. Value Pack includes the Platform LSF workload scheduler, the HP-MPI parallelization library, the HP Unified Parallel C compiler and the HP Shmem library, as well as the execution environments for the libraries and compiler. [HP HPC Linux Value Pack](#)

Operating Systems and Virtualization Software

[Microsoft Windows Server](#)
[Microsoft Windows Server Hyper-V](#)
[Red Hat Enterprise Linux \(RHEL\)](#)
[SUSE Linux Enterprise Server \(SLES\)](#)
[Oracle Enterprise Linux \(OEL\)](#)
[VMware ESX](#)
[Citrix XenServer](#)

NOTE: For more information on HP's Certified and Supported ProLiant Servers for OS and Virtualization Software and latest listing of software drivers available for your server, including how to purchase from HP, please visit our OS Support Site at: <http://www.hp.com/go/supportos> and our driver download page <http://www.hp.com/support/BL495cG5>

Availability

Dual-Port Fibre Channel Mezzanine Card for redundant SAN connection
Dual- and Quad-Port server adapter for redundant LAN connections
Redundant ROM on each server blade
Multiple mezzanine I/O expansion
ECC Memory
Network adapter teaming (network fault tolerance, transmit load balancing, switch-assisted load balancing)

Industry Standard Compliance

ACPI 2.0 Compliant
PCI 2.2 Compliant
Microsoft® Logo certifications
USB 2.0 Support

Security

Power-on password
Administrator's password
Integrated Lights-Out 2 has 12 customizable user accounts and SSL encryption
Integrated Lights-Out 2 can be disabled via a Global Setting

Factory Express Portfolio for Servers and Storage

HP Factory Express offers configuration, customization, integration and deployment services for HP servers and storage products. Customers can choose how their factory solutions are built, tested, integrated, shipped and deployed.

Factory Express offers service packages for simple configuration, racking, installation, complex configuration and design services as well as individual factory services, such as image loading, asset tagging, and custom packaging. HP products supported through Factory Express include a wide array of servers and storage: HP Integrity, HP ProLiant, HP ProLiant Server Blades, HP BladeSystem, HP 9000 servers as well as the MSAxxxx, VA7xxx, EVA, XP, rackable tape libraries and configurable network switches.

For more information on Factory Express services on your specific server model please contact your sales representative or go to: <http://www.hp.com/go/factory-express>.

Standard Features

HP Enterprise Configurator

The HP eConfigure Enterprise Configurator now provides factory default racking for our HP hardware portfolio. This approach is aligned with our strategic direction to meet the needs and expectations of our valued customers. If you require "custom" rack configuration, please contact HP's Customer Business Center or an Authorized Partner for assistance.
<http://www.hp.com/products/configurator>.

Service and Support

Service and Support HP Care Pack Services: Packaged server and storage services for increased uptime, productivity and ROI

When you buy HP server and storage products and solutions, it's also a good time to think about what levels of support you may need. Our portfolio of service options reduce deployment and management worries while helping you get the most out of your server and storage investments. We take a holistic approach to your environment, bridging servers, blades, storage, software and network infrastructures with our packaged HP Care Pack Services for servers and storage.

Protect your business beyond warranty

When it comes to robustness and reliability, standard computing equipment warranties have matured along with technology. Good news that can also create problems stemming from depending on standard warranties designed to only protect against product defects and some downtime causes. Using a standard approach to warranty uplifts, such as HP Care Pack Services, helps reduce downtime risks and provides operational consistency for mission-critical and standard business computing.

HP Care Pack Services: Upgrading or extending standard server and storage warranties cost effectively

HP Care Pack Services offer a standard reactive hardware and software support services suite sold separately, or combined with our Support Plus and Support Plus 24 services. The portfolio also provides a combination of integrated proactive and reactive services, such as Proactive 24 Service and Critical Service. In addition with HP Proactive Select, you can acquire the specific proactive constancy and technical services. HP Proactive Select menu offers a broad set of service options that you can mix and match depending on your specific requirements. Proactive service options include offers for server, storage, network, SAN device, software, environment and education services.

HP server and storage lifecycle support services offers a full spectrum of customer care-from technology support to complex migrations to complete managed services. HP Factory Express provides customization, integration and deployment services for turnkey solutions. HP Education Services offer flexible, comprehensive training on to help your IT staff get the most out of your server and storage investments. HP Financial solutions extend innovative financing and cost-effective asset management programs-from purchase to equipment retirement.

Learn more: www.hp.com/services/servers and www.hp.com/services/storage

NOTE: Care Pack Services availability may vary by product and country.

HP Care Pack Services are sold by HP and HP Authorized Service Partners:

- Services for customers purchasing from HP or an enterprise reseller are quoted using HP order configuration tools.
- Customers purchasing from a commercial reseller can find HP Care Pack Services at <http://www.hp.com/go/lookuptool>

Service and Support

Recommended HP Care Pack Services for optimal satisfaction with your HP product

Recommended Services

3-Year HP Hardware Support Onsite Call-to-Repair (CTR) Service, 6- or 24-hour

Provides your IT manager with a team of support specialists who will quickly begin troubleshooting the system to help return the hardware to operating condition within 6 or 24 hours of the initial service request to the HP Global Solution Center.

HP is committed to repairing your hardware within a maximum of six or twenty four hours. The benefits include:

- Improved system uptime
- Predictable repair times
- More effective IT resource planning
- Consistent level of hardware support across your multi-technology systems

<http://h20195.www2.hp.com/V2/GetPDF.aspx/5981-6636ENN>

3-Year HP Hardware Support Onsite Service, 4-hour response, 24x7

Provides you with rapid remote support and if required an HP authorized representative who will arrive on site any time and day of the year to begin hardware maintenance service within 4 hours of the service request being logged.

This service provides a trained HP service specialist to perform an installation that meets HP quality standards, for:

- Help improve or maintain system uptime
- Convenient onsite support
- Committed response time

<http://h20195.www2.hp.com/V2/GetPDF.aspx/5982-6547EEE>

HP ProLiant Server Hardware Installation

Provides for the basic hardware installation of HP branded servers, storage devices and networking options to assist you in bringing your new hardware into operation in a timely and professional manner.

- Expedited installation, with all service prerequisites met before the installation is performed
- Installation in accordance with manufacturer's specifications, enhancing the supportability of your HP-installed hardware and software
- Service delivery at a mutually scheduled time
- Allows your IT resources to stay focused on their core tasks and priorities
- Availability of an HP service specialist to answer questions during the onsite delivery of this service

<http://h20195.www2.hp.com/V2/GetPDF.aspx/5981-9356EN>

Service and Support

Optional HP Care Pack Services that will enhance your HP product experience

Optional Services

HP Enhanced Network Installation & Startup for BladeSystem Switches

Provides for the configuration and testing of BladeSystem Ethernet interconnect switches to facilitate proper implementation of network protocols and access to advanced features.

<http://h20195.www2.hp.com/V2/GetPDF.aspx/4aa0-5969ENW>

3-Year HP Proactive 24

As an alternative to our recommended support level, for customers who want enhanced operational effectiveness and proactive problem identification:

Provides improved stability, availability and operational effectiveness with an integrated hardware and software support service that combines industry-leading reactive technical assistance with proactive account services, giving your IT manage support from a team of service specialists.

<http://h20195.www2.hp.com/V2/GetPDF.aspx/4AA0-1614ENUC>

HP Proactive Select Service

Customer needs on demand access to consulting, technical proactive services and education courses

Provides a flexible way to purchase HP best-in-class consultancy and technical services. You can buy Proactive Select Service Credits when you purchase your hardware and then use the credits over the next 12 months.

<http://h20195.www2.hp.com/V2/GetPDF.aspx/4AA2-3842ENN>

eSupport

HP eSupport is a portfolio of technology-based services that assist you with managing your business environment - from the desktop to the data center.

Support Portal

The HP support portal provides one-stop access to the information, tools and services you need to manage the daily operations of your IT environment.

Features include:

- Access to self-solve tools (including search technical knowledge base)
- Efficient logging and tracking of support cases
- Collaboration with other business and IT professionals
- Download of patches and drivers
- Access to diagnostic tools
- Proactive notification of relevant information

Access to certain features of the support portal requires an HP service agreement. To access the support portal, visit: <http://www.hp.com/support>

HP Insight Remote Support software delivers secure remote support for your HP Servers and Storage, 24 X 7, so you can spend less time solving problems and more time focused on your business. You can have your systems remotely monitored for hardware failure using secure technology that's been proven at thousands of companies around the world. In many cases, you can avoid problems before they occur.

Service and Support

Customer Technical Training

In today's cost-conscious business environment, IT professionals, developers, consultants and users face an interesting challenge: how to keep up with the latest technologies and expand important skills while delivering profitable results on current projects. To help address this challenge, HP offers innovative training solutions that help keep you up-to-date on virtualization, server, storage, Insight Control, Citrix, Microsoft® and open source/Linux-related topics-while spending less time away from business-critical activities.

HP Services Awards

HP Technology Services continues to be recognized for service and support excellence by customers, partners, industry organizations and publications around the world. Recent honors and award reflect our services team's dedications, technical expertise, professionalism and uncompromising commitment to customer satisfaction.

Additional Services Information

To learn more on HP ProLiant servers, HP BladeSystem servers and HP StorageWorks storage products, please contact your HP sales representative or HP Authorized Channel Partner. Or visit: www.hp.com/services/proliant or www.hp.com/services/bladesystem or <http://www.hp.com/hps/storage>

Models

NOTE: Not all models are available in all regions. Check with your local country HP offices for availability.

Quad-Core Models

HP ProLiant BL495c G5 2389 QC, 4G (1P) 519237-B21	Processor(s) One of the following depending on model	(1) AMD Opteron™ processor Model 2389 (2.9 GHz) (1) AMD Opteron processor Model 2384 (2.7 GHz) (1) AMD Opteron processor Model 2378 (2.4 GHz)
HP ProLiant BL495c G5 2384 QC, 4GB (1P) 500041-B21	Cache Memory	512 KB Level 2 cache memory per core 6 MB Level 3 cache memory
HP ProLiant BL495c G5 2378 QC, 4GB (1P) 505638-B21	Memory	4 GB (2 x 2 GB) PC2-6400, Registered DDR2-800
	Network Adapter	Embedded NC532i Dual Port Flex-10 10GbE Multifunction Server Adapter and one (1) additional 10/100 server adapter dedicated to iLO 2 management
	Storage Controller	HP Embedded SATA Controller
	Hard Drives	No drives included; (2) Non-Hot Plug SSD internal drive bays
	Internal Storage	Up to 128GB SATA SSD
	Optical Drive	None
	Form Factor	Up to eight (8) half-height blades supported in the HP BladeSystem c3000 Enclosure Up to sixteen (16) half-height blades supported in HP BladeSystem c7000 Enclosure

Configuration Information - Factory Integrated Models

NOTE: This section lists some of the steps required to configure a Factory Integrated Model. To ensure only valid configurations are ordered, HP recommends the use of an HP approved configurator. Contact your local sales representative for information on CTO product offerings and requirements.

NOTE: HP does not allow factory integration of options into standard models listed above.

Configure-to-order servers must start with a CTO Chassis.

NOTE: FIO indicates that this option is a factory installable option.

Step 1: Base Server Blade Configuration

HP Models	HP ProLiant BL495c G5 Configure-to-order Blade	454314-B21
	Configurable Model ships with:	
	Embedded NC532i Dual Port Flex-10 10GbE Multifunction Server Adapter and one (1) additional 10/100 server adapter dedicated to iLO 2 management	
	HP Embedded SATA Controller	
	Two (2) non-hot plug internal SATA SSD drive bays	
	HP Integrated Lights-Out 2 management processor	

Step 2: Choose Required Options (one of the following from each list unless otherwise noted):

HP Processors	<p>For single processor configuration choose:</p> <p>NOTE: If two (2) processors are desired, select one xxxxxx-L21 and one xxxxxx-B21.</p>	
	AMD Opteron™ 2389 2.90GHz Quad Core 75 Watts BL495c G5 Factory Integrated Processor Option Kit	519238-L21
	AMD Opteron™ 2387 2.80GHz Quad Core 75 Watts BL495c G5 Factory Integrated Processor Option Kit	532314-L21
	AMD Opteron™ 2384 2.7GHz Quad Core 6MB BL495c G5 Factory Integrated Processor Option Kit	500042-L21
	AMD Opteron™ 2382 2.6GHz Quad Core 6MB BL495c G5 Factory Integrated Processor Option Kit	500044-L21
	AMD Opteron™ 2378 2.4GHz Quad Core 6MB BL495c G5 Factory Integrated Processor Option Kit	505639-L21
	AMD Opteron™ 2381HE 2.50GHz Quad Core 55 Watts BL495c G5 Factory Integrated Processor Option Kit	519240-L21
	AMD Opteron™ 2376HE 2.3GHz Quad Core 55W BL495c G5 Factory Integrated Processor Option Kit	508872-L21
HP Memory	<p>HP 2GB (2x1GB) Single Rank PC2-6400 (DDR2-800) Registered Memory Kit</p> <p>NOTE: Compatible with the AMD Opteron processor Models 2376 HE, 2378, 2381 HE, 2382, 2384, 2387, 2389, 2425 HE, 2427, and 2435.</p>	497763-B21
	<p>HP 4GB (2x2GB) Single Rank PC2-5300 (DDR2-667) Registered Low Power Memory Kit</p> <p>NOTE: Compatible with the AMD Opteron processor Models 2347 HE, 2352, and 2356.</p>	483401-B21
	<p>HP 4GB (2x2GB) Single Rank PC2-6400 (DDR2-800) Registered Memory Kit</p> <p>NOTE: Compatible with the AMD Opteron processor Models 2376 HE, 2378, 2381 HE, 2382, 2384, 2387, 2389, 2425 HE, 2427, and 2435.</p>	497765-B21
	<p>HP 8GB (2x4GB) Dual Rank PC2-5300 (DDR2-667) Registered Memory Kit</p> <p>NOTE: Compatible with the AMD Opteron processor Models 2347 HE, 2352, and 2356.</p>	408854-B21

Configuration Information - Factory Integrated Models

HP 8GB (2x4GB) Dual Rank PC2-5300 (DDR2-667) Registered Low Power Memory Kit	483403-B21
NOTE: Compatible with the AMD Opteron processor Models 2347 HE, 2352, and 2356.	
HP 8GB (2x4GB) Dual Rank PC2-6400 (DDR2-800) Registered Memory Kit	497767-B21
NOTE: Compatible with the AMD Opteron processor Models 2376 HE, 2378, 2381 HE, 2382, 2384, 2387, 2389, 2425 HE, 2427, and 2435.	
HP 8GB (2x4GB) Dual Rank x4 PC2-6400 (DDR2-800) Registered Low Power Memory Kit	504351-B21
NOTE: Compatible with the AMD Opteron processor Models 2376 HE, 2378, 2381 HE, 2382, 2384, 2387, 2389, 2425 HE, 2427, and 2435.	
HP 16GB (2x8GB) Dual Rank PC2-5300 (DDR2-667) Registered Memory Kit	408855-B21
NOTE: Compatible with the AMD Opteron processor Models 2347 HE, 2352, 2356, 2376 HE, 2378, 2381 HE, 2382, 2384, 2387, 2389, 2425 HE, 2427, and 2435.	
HP 64GB (8x8GB) Dual Rank PC2-5300 (DDR2-667) Registered Memory Kit	495605-B21
NOTE: Compatible with the AMD Opteron processor Models 2347 HE, 2352, 2356, 2376 HE, 2378, 2381 HE, 2382, 2384, 2387, 2389, 2425 HE, 2427, and 2435.	
NOTE: Must be installed in pairs.	
NOTE: The memory bus will operate at 800 MHz with four (4) or fewer DIMMs per processor, 667 MHz with six (6) DIMMs per processor, and 533 MHz with eight (8) DIMMs per processor.	

Step 3: Choose Additional Options for Factory Integration

NOTE: For additional "Core Options and Additional Options" please see the options sections below. For additional options, including server blade enclosures interconnect and mezzanine options and power subsystem options; please see the following:

HP BladeSystem c-Class Infrastructure QuickSpecs:

HP BladeSystem c3000 Enclosure QuickSpecs:

http://h18000.www1.hp.com/products/quickspecs/12790_div/12790_div.html

HP BladeSystem c7000 Enclosure QuickSpecs:

http://h18000.www1.hp.com/products/quickspecs/12810_div/12810_div.html

and HP BladeSystem c-Class Interconnect and Mezzanine Components:

<http://h18004.www1.hp.com/products/blades/components/c-class-interconnects.html>

<http://h18004.www1.hp.com/products/blades/components/c-class-adapters.html>

Core Options

NOTE: Some options may not be integrated at the factory. To ensure only valid configurations are ordered, HP recommends the use of an HP approved.

HP Ethernet Mezzanine Options	Gigabit Ethernet Mezzanines	
	HP NC325m PCI Express Quad Port 1Gb Server Adapter for c-Class BladeSystem	416585-B21
	NOTE: If the NC325m is installed in mezzanine slot 1 of a half-height server, connectivity will be provided on only 2 of the 4 ports.	
	HP NC326m PCI Express Dual Port 1Gb Server Adapter for c-Class BladeSystem	406771-B21
	HP NC360m Dual Port 1GbE BL-c Adapter	445978-B21
	HP NC364m Quad Port 1GbE BL-c Adapter	447883-B21
	NOTE: If the NC364m is installed in mezzanine slot 1 of a half-height server, connectivity will be provided on only 2 of the 4 ports.	
	HP NC382m Dual Port 1GbE Multifunction BL-c Adapter	453246-B21
	QLogic iSCSI Dual Port Adapter with Virtual Connect for c-Class BladeSystem	488074-B22
	NOTE: The Gigabit Ethernet adapters above transmit from the server at 2000 Mbps, full duplex per port. For more information, see the "Network Controller" segment in the Standards Features section.	
	10 Gigabit Ethernet Mezzanines	
HP NC522m Dual Port Flex-10 10GbE Multifunction BL-c Adapter	467801-B21	
NOTE: The NC522m requires a minimum of 2 GB of server memory.		
NOTE: The NC522m supports linking at 1000Mbps or 10000Mbps when not connected to a Flex-10 enabled module and will link with all current 1Gb switches at 1Gb.		
HP NC532m Dual Port Flex-10 10GbE Multifunction BL-c Adapter	467799-B21	
NOTE: The NC532m network adapter card is required for each server blade connecting to a 10Gb interconnect in bays 3-8 (HP BladeSystem c7000 Enclosure) or bays 3-4 (HP BladeSystem c3000 Enclosure).		
NOTE: The NC532m requires a minimum of 2 GB of server memory.		
NOTE: The NC532m supports linking at 1000Mbps or 10000Mbps when not connected to a Flex-10 enabled module and will link with all current 1Gb switches at 1Gb.		
HP NC550m 10GbE 2-port PCIe x8 Flex-10 Ethernet Adapter	581204-B21	
NOTE: The NC550m network adapter card is required for each server blade connecting to a 10Gb interconnect in bays 3-8 (HP BladeSystem c7000 Enclosure) or bays 3-4 (HP BladeSystem c3000 Enclosure).		
NOTE: The NC550m requires a minimum of 2 GB of server memory.		
NOTE: The NC550m supports linking at 1000Mbps or 10000Mbps when not connected to a Flex-10 device. The NC550m will only support 1000Mbps when connected to a 1Gb Ethernet interconnect.		

HP Fibre Channel Mezzanine Options	4Gb Fibre Channel Mezzanines	
	Emulex LPe1105 4Gb Fibre Channel Host Bus Adapter for c-Class BladeSystem	403621-B21
	QLogic QMH2462 4Gb Fibre Channel Host Bus Adapter for c-Class BladeSystem	403619-B21

Core Options

HP Processors	HP BL495c G6 AMD Opteron™ 2435 (2.60GHz/6-core/6MB/75W) Processor Kit	539805-B21
	HP BL495c G6 AMD Opteron™ 2427 (2.20GHz/6-core/6MB/75W) Processor Kit	539808-B21
	HP BL495c G5 AMD Opteron™ 2389 (2.90GHz/4-core/6MB/75W) Processor Kit	519238-B21
	HP BL495c G5 AMD Opteron™ 2387 (2.80GHz/4-core/6MB/75W) Processor Kit	532314-B21
	HP BL495c G5 AMD Opteron™ 2384 (2.70GHz/4-core/6MB/75W) Processor Kit	500042-B21
	HP BL495c G5 AMD Opteron™ 2382 (2.60GHz/4-core/6MB/75W) Processor Kit	500044-B21
	HP BL495c G5 AMD Opteron™ 2378 (2.40GHz/4-core/6MB/75W) Processor Kit	505639-B21
	HP BL495c G5 AMD Opteron™ 2356 (2.30GHz/4-core/2MB/75W) Processor Kit	453434-B21
	HP BL495c G5 AMD Opteron™ 2352 (2.10GHz/4-core/2MB/75W) Processor Kit	453435-B21
	HP BL495c G6 AMD Opteron™ 2425HE (2.10GHz/6-core/6MB/55W) Processor Kit	539812-B21
	HP BL495c G5 AMD Opteron™ 2381HE (2.50GHz/4-core/6MB/55W) Processor Kit	519240-B21
	HP BL495c G5 AMD Opteron™ 2376HE (2.30GHz/4-core/6MB/55W) Processor Kit	508872-B21
	HP BL495c G5 AMD Opteron™ 2347HE (1.90GHz/4-core/2MB/55W) Processor Kit	453441-B21
HP Memory	HP 2GB (2x1GB) Single Rank PC2-6400 (DDR2-800) Registered Memory Kit NOTE: Compatible with the AMD Opteron processor Models 2376 HE, 2378, 2381 HE, 2382, 2384, 2387, 2389, 2425 HE, 2427, and 2435.	497763-B21
	HP 4GB (2x2GB) Single Rank PC2-5300 (DDR2-667) Registered Low Power Memory Kit NOTE: Compatible with the AMD Opteron processor Models 2347 HE, 2352, and 2356.	483401-B21
	HP 4GB (2x2GB) Single Rank PC2-6400 (DDR2-800) Registered Memory Kit NOTE: Compatible with the AMD Opteron processor Models 2376 HE, 2378, 2381 HE, 2382, 2384, 2387, 2389, 2425 HE, 2427, and 2435.	497765-B21
	HP 8GB (2x4GB) Dual Rank PC2-5300 (DDR2-667) Registered Memory Kit NOTE: Compatible with the AMD Opteron processor Models 2347 HE, 2352, and 2356.	408854-B21
	HP 8GB (2x4GB) Dual Rank PC2-5300 (DDR2-667) Registered Low Power Memory Kit NOTE: Compatible with the AMD Opteron processor Models 2347 HE, 2352, and 2356.	483403-B21
	HP 8GB (2x4GB) Dual Rank PC2-6400 (DDR2-800) Registered Memory Kit NOTE: Compatible with the AMD Opteron processor Models 2376 HE, 2378, 2381 HE, 2382, 2384, 2387, 2389, 2425 HE, 2427, and 2435.	497767-B21
	HP 8GB (2x4GB) Dual Rank x4 PC2-6400 (DDR2-800) Registered Low Power Memory Kit NOTE: Compatible with the AMD Opteron processor Models 2376 HE, 2378, 2381 HE, 2382, 2384, 2387, 2389, 2425 HE, 2427, and 2435.	504351-B21

Core Options

HP 16GB (2x8GB) Dual Rank PC2-5300 (DDR2-667) Registered Memory Kit 408855-B21

NOTE: Compatible with the AMD Opteron processor Models 2347 HE, 2352, 2356, 2376 HE, 2378, 2381 HE, 2382, 2384, 2387, 2389, 2425 HE, 2427, and 2435.

HP 64GB (8x8GB) Dual Rank PC2-5300 (DDR2-667) Registered Memory Kit 495605-B21

NOTE: Compatible with the AMD Opteron processor Models 2347 HE, 2352, 2356, 2376 HE, 2378, 2381 HE, 2382, 2384, 2387, 2389, 2425 HE, 2427, and 2435.

NOTE: Must be installed in pairs.

NOTE: The memory bus will operate at 800 MHz with four (4) or fewer DIMMs per processor, 667 MHz with six (6) DIMMs per processor, and 533 MHz with eight (8) DIMMs per processor.

HP Hard Drives

NOTE: Drives have either a one year or three year warranty; refer to the specific drive QuickSpecs for details.

HP 32GB 1.5G SATA SFF (2.5-inch) Non-hot Plug Entry 3yr Warranty Solid State Drive 461201-B21

HP 64GB 1.5G SATA SFF (2.5-inch) Non-hot Plug Entry 3yr Warranty Solid State Drive 461203-B21

NOTE: Please see the QuickSpecs for Technical Specifications and additional information:

http://h18000.www1.hp.com/products/quickspecs/13121_div/13121_div.html

Additional Options

NOTE: Some options may not be integrated at the factory. To ensure only valid configurations are ordered, HP recommends the use of an HP approved.

HP Insight software

HP Insight Control

HP Insight Control, No Media, Electronic License including 1 year of 24x7 Technical Support and Updates T9074BAE

HP Insight Control, No Media 1-Server License including 1 year of 24x7 Technical Support and Updates 452148-B22

NOTE: For additional license kits please see the QuickSpecs at:
http://h18000.www1.hp.com/products/quickspecs/12631_div/12631_div.html

HP Insight Software Media Kit 436222-B21

NOTE: Insight Software DVD media without licenses. Contains Insight Control, Insight Dynamics and Virtual Connect Enterprise Manager. Uses an integrated installer to perform quick and accurate software installation and updates.

NOTE: Licenses ship without media. The HP Insight Control Media Kit can be ordered separately, or can be downloaded at:

<http://www.hp.com/go/insightupdates>.

NOTE: Electronic licenses can be used to purchase multiple licenses with a single activation key, and is available in all countries except China and Japan. Customers in China and Japan should order the physical equivalent.

NOTE: Customer will receive a license entitlement certificate, which must be redeemed online or via fax in order to obtain the license activation key(s). Includes one year of 24 x 7 HP Software Technical Support & Update Service.

NOTE: For additional license kits, including bundles with HP BladeSystem enclosures, please see the Insight Control QuickSpecs at:
http://h18004.www1.hp.com/products/quickspecs/12631_div/12631_div.html

HP Insight Control for Linux

HP Insight Control for Linux, 1-server license, including one year of 24x7 Technical Support and Updates, Electronic TC213AAE

HP Insight Control for Linux, No Media, 1-Server license, including one year of 24x7 Technical Support and Updates TC209A

HP Insight Control for Linux, Media pack (DVD) - No licenses included TC208A

NOTE: Media pack DVD contains HP Insight Control for Linux, HP Systems Insight Manager, HP Insight Control power management, HP Insight Control virtual machine management, and an integrated installer. Licenses must be acquired separately.

NOTE: Licenses ship without media. The Media Kit for Insight Control for Linux can be ordered separately, or can be downloaded at: <http://www.hp.com/go/ic-linux> (click on Download button).

NOTE: Electronic licenses can be used to purchase multiple licenses with a single activation key, and are available in all countries except China and Japan. Customers in China and Japan should order the physical equivalent.

NOTE: Customer will receive a license entitlement certificate, which must be redeemed online or via fax in order to obtain the license activation key(s). Includes one year of 24 x 7 HP Software Technical Support Service.

NOTE: For additional License Kits, including electronic licensing options, please see the QuickSpecs at:

http://h18000.www1.hp.com/products/quickspecs/13019_div/13019_div.html

HP Integrated Lights-Out (iLO) Advanced for BladeSystem Remote Management

HP Integrated Lights-Out (iLO) Advanced for BladeSystem (1) Server License/(1) Key for BladeSystem, No Media, including 1 year of 24x7 Technical Support and Updates. 512488-B21

NOTE: Electronic licenses can be used to purchase multiple licenses with a single activation key, and is available in all countries except China and Japan.

Additional Options

Customers in China and Japan should order the physical equivalent.

NOTE: Customer will receive a license entitlement certificate, which must be redeemed online or via fax in order to obtain the license activation key(s).

Includes one year of 24 x 7 HP Software Technical Support Service.

NOTE: For additional license kits please see the HP Integrated Lights-Out 2 (iLO 2) QuickSpecs at:

http://h18000.www1.hp.com/products/quickspecs/12362_div/12362_div.html

HP Insight Control server deployment

HP Insight Control server deployment Electronic License including 1 year 24x7 Technical Support and Updates

T9082AAE

HP Insight Control server deployment 1-Server License including 1 year 24x7 Technical Support and Updates

452151-B21

NOTE: Licenses ship without media. The Insight Control Media Kit can be ordered separately, or can be downloaded at:

<http://www.hp.com/go/insightupdates>.

NOTE: Electronic licenses can be used to purchase multiple licenses with a single activation key, and is available in all countries except China and Japan. Customers in China and Japan should order the physical equivalent.

NOTE: Customer will receive a license entitlement certificate, which must be redeemed online or via fax in order to obtain the license activation key(s).

Includes one year of 24 x 7 HP Software Technical Support Service.

NOTE: For additional license kits please see the Insight Control QuickSpecs at:

http://h18004.www1.hp.com/products/quickspecs/12631_div/12631_div.html

HP Storage Controllers

HP Cluster Management Utility Compute Node License

436284-B21

NOTE: This part number can be used to purchase one certificate for multiple licenses with a single activation key. Each license is for one node (server). Customer will receive a printed end user license agreement and license entitlement certificate via physical shipment. The license entitlement certificate must be redeemed online in order to obtain a license key.

NOTE: For additional license kits please see the QuickSpecs at:

http://h18004.www1.hp.com/products/quickspecs/12612_div/12612_div.html

HP Cluster Management Utility Media and Management License

433257-B21

NOTE: Order a minimum of one license per cluster to purchase media including software and documentation, which will be delivered to the customer, and also licenses CMU management. No license key is delivered or required.

NOTE: For additional license kits please see the QuickSpecs at:

http://h18004.www1.hp.com/products/quickspecs/12612_div/12612_div.html

HP HPC Linux Value Pack One Processor License

TC293A

NOTE: This part number can be used to purchase one certificate for multiple licenses with a single activation key. Each license is for one socket (a.k.a. processor). Customer will receive a printed end user license agreement and license entitlement certificate via physical shipment. The license entitlement certificate must be redeemed online in order to obtain a license key.

NOTE: For additional license kits please see the QuickSpecs at:

http://h18004.www1.hp.com/products/quickspecs/13485_div/13485_div.html

HP HPC Linux Value Pack Media

TC294A

NOTE: This part number can be used to purchase media including software and documentation, which will be delivered to the customer.

NOTE: For additional license kits please see the QuickSpecs at:

http://h18004.www1.hp.com/products/quickspecs/13485_div/13485_div.html

Additional Options

HP Storage Controllers	Smart Array P700m Controller	
	HP Smart Array P700m/512 4-ports Ext PCIe x8 SAS Controller	508226-B21
	HP Smart Array P700m/256 4-ports Ext PCIe x8 SAS Controller	507925-B21
	NOTE: Please see the QuickSpecs for Technical Specifications and additional information: http://h18000.www1.hp.com/products/quickspecs/13175_div/13175_div.html (Worldwide)	
	Smart Array P712m Controller	
	HP Smart Array P712m/ZM 2-ports Int PCIe x8 SAS Controller	484299-B21
	NOTE: Provides RAID support on internal non-hot plug SSDs.	
	NOTE: Please see the QuickSpecs for Technical Specifications and additional information at: http://h18000.www1.hp.com/products/quickspecs/13296_div/13296_div.html (Worldwide)	
	Optional Upgrade	
	HP 650 mAh P-series Low Profile Battery	575031-B21
	NOTE: The HP 650 mAh P-Series battery option kit is required to enable battery-backed write cache (BBWC) on the P712m Controller.	
	HP Smart Array P-Series Low Profile Battery	452348-B21
	NOTE: The Smart Array P-Series battery option kit is required to enable battery-backed write cache (BBWC) on the P700m Controller.	
<hr/>		
HP I/O Expansion Options	HP StorageWorks 80GB IO Accelerator for BladeSystem c-Class	AJ876A
	HP StorageWorks 160GB IO Accelerator for BladeSystem c-Class	AJ877A
	HP StorageWorks 320GB IO Accelerator for BladeSystem c-Class	AJ878A
	NOTE: Please see the QuickSpecs for Technical Specifications and additional information: http://h18000.www1.hp.com/products/quickspecs/13220_div/13220_div.html	
<hr/>		
HP c-Class Mezzanine Options	HP 4X DDR IB Dual Port Mezzanine HCA for HP BladeSystem c-Class	448262-B21
<hr/>		
HP Ultrium Tape Blades	HP StorageWorks SB1760c Tape Blade	AQ697A
	NOTE: LTO-4 Ultrium technology	
	HP StorageWorks SB920c Tape Blade	AJ401A
	NOTE: LTO-3 Ultrium technology	
	HP StorageWorks Ultrium 448c Tape Blade	440947-B21
	NOTE: LTO-2 Ultrium tape technology	
	NOTE: Please see the QuickSpecs for Technical Specifications and additional information at: http://h18000.www1.hp.com/products/quickspecs/12729_div/12729_div.html NOTE: Please visit the BladeSystem c-Class enclosure QuickSpecs for a complete list of recommended data protection solutions for BladeSystem c-Class enclosures: http://h18004.www1.hp.com/products/blades/components/enclosures/c-class/index.html .	
<hr/>		

Additional Options

HP StorageWorks Storage Blades	HP StorageWorks LTO-5 SB3000c Tape Blade	BS580A
	<p>NOTE: Please see the QuickSpecs for Technical Specifications and additional information at: http://h18000.www1.hp.com/products/quickspecs/12729_div/12729_div.html (Worldwide)</p>	
	HP StorageWorks SB40c Storage Blade	411243-B21
	HP StorageWorks SB40c Storage Blade with HP LeftHand VSA bundle	AT459A
	<p>NOTE: Please see the QuickSpecs for Technical Specifications and additional information at: http://h18000.www1.hp.com/products/quickspecs/12587_div/12587_div.html (Worldwide)</p>	

HP Expansion Blade	HP PCI Expansion Blade	448018-B21
	<p>NOTE: Ships with one pre-installed PCI-X connect board. Also includes one PCIe connect board which requires installation.</p>	
	<p>NOTE: Please see the QuickSpecs for Technical Specifications and additional information at: http://h18000.www1.hp.com/products/quickspecs/12753_div/12753_div.html</p>	

HP USB and SD Options	HP USB 2-Button Optical Scroll Mouse (Carbonite/Silver)	DC172B
	HP USB 04 Standard Keyboard	DT528A#ABA
	HP 2GB USB Flash Media Drive Key Kit	608447-B21
	<p>NOTE: HP qualified blank USB key for use with HP ProLiant servers that support the VMware virtualization environment and other HP value-add software like SmartStart. HP recommends this industry standard USB flash device for use with VMware ESXi. USB device must be installed in the internal slot of the ProLiant server for use with VMware ESXi. Refer to HP VMware Getting Started Guide for installation instructions.</p>	

HP Care Pack Services **NOTE:** The HP Care Pack service part numbers below for ProLiant BL c-Class server blades, cover the server blade and all HP branded hardware options qualified for the server, purchased at the same time or afterwards, internal to the server.

Hardware Services On-site Service

4-Hour On-site Service, 5-Day x 13-Hour Coverage, 3 Years, Electronic	UK065E
4-Hour On-site Service, 7-Day x 24-Hour Coverage, 3 Years, Electronic	UK066E
6-Hour Call to Repair, On-site Service, 7-Day x 24-Hour Coverage, 3 Years, Electronic	UK067E

Memory

NOTE: Memory configurations listed do not apply to "Factory Integrated Models".

DIMM installation guidelines:

1. All DIMMs must be PC2-5300 Registered DDR2 DIMMs (667 MHz) or PC2-6400 Registered DDR2 DIMMs (800 MHz).
2. PC2-6400 DDR2 DIMMs are only supported with the AMD Opteron processor Models 2376 HE, 2378, 2381 HE, 2382, 2384, 2387, 2389, 2425 HE, 2427, and 2435.
3. Both DIMM slots in a memory bank must be populated.
4. Both DIMMs in a memory bank must be identical.
5. Processor 1 memory bank A must always be populated.
6. DIMM banks are active only when the corresponding processor socket is populated.
7. If installing only one bank on a processor, populate the bank physically farthest from the processor.
8. If mixing DIMM sizes on the same processor, the largest capacity DIMMs must be populated in the bank physically farthest from the processor. The smallest capacity DIMMs must be populated in the bank physically nearest the processor.
9. For optimal performance in most applications, populate the first memory bank for every populated processor socket.
10. The memory bus will operate at 800 MHz with four (4) or fewer DIMMs per processor, 667 MHz with six (6) DIMMs per processor, and 533 MHz with eight (8) DIMMs per processor.

HP ProLiant BL495c G5 Server Blade

Standard Memory

4096 MB (2 x 2048 MB) of PC2-5300 or PC2-6400, Registered DDR2 ECC DIMMs.

Standard Memory Plus Optional Memory

Up to 118784 MB of PC2-5300 or 61440 MB of PC2-6400, Registered DDR2 ECC DIMMs. Memory is available with the installation of optional PC2-5300 or PC2-6400, Registered DDR2 DIMM memory expansion kits.

Standard Memory Replaced with Optional Memory

Up to 131072 MB of PC2-5300 or 65536 MB of PC2-6400, Registered DDR2 ECC DIMMs. Memory is available with the removal of standard memory and the installation of optional PC2-5300 or PC2-6400, Registered DDR2 DIMM memory expansion kits.

1 Processor Configurations									
Memory		Slot							
		1A	2A	3B	4B	5C	6C	7D	8D
Standard	4096 MB	2048 MB	2048 MB	Empty	Empty	Empty	Empty	Empty	Empty
Optional	53248 MB	8192 MB	8192 MB	8192 MB	8192 MB	8192 MB	8192 MB	2048 MB	2048 MB
Maximum	65536 MB	8192 MB	8192 MB	8192 MB	8192 MB	8192 MB	8192 MB	8192 MB	8192 MB

2 Processor Configuration, Total Memory = 60GB									
Memory		Slot							
		1A	2A	3B	4B	5C	6C	7D	8D
		4096 MB	4096 MB	4096 MB	4096 MB	4096 MB	4096 MB	2048 MB	2048 MB
		9E	10E	11F	12F	13G	14G	15H	16H
		4096 MB	4096 MB	4096 MB	4096 MB	4096 MB	4096 MB	4096 MB	4096 MB

2 Processor Configuration, Total Memory = 64GB									
Memory		Slot							
		1A	2A	3B	4B	5C	6C	7D	8D
		4096 MB	4096 MB	4096 MB	4096 MB	4096 MB	4096 MB	4096 MB	4096 MB
		9E	10E	11F	12F	13G	14G	15H	16H
		4096 MB	4096 MB	4096 MB	4096 MB	4096 MB	4096 MB	4096 MB	4096 MB

2 Processor Configuration, Total Memory = 116GB									
Memory		Slot							
		1A	2A	3B	4B	5C	6C	7D	8D
		8192 MB	8192 MB	8192 MB	8192 MB	8192 MB	8192 MB	2048MB	2048MB

Memory

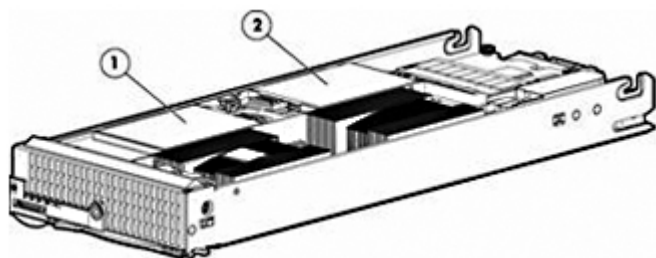
	9E	10E	11F	12F	13G	14G	15H	16H
	8192 MB	8192 MB	8192 MB	8192 MB	8192 MB	8192 MB	8192 MB	8192 MB
2 Processor Configuration, Total Memory = 128GB								
Memory	Slot							
	1A	2A	3B	4B	5C	6C	7D	8D
	8192MB	8192MB	8192MB	8192MB	8192MB	8192MB	8192MB	8192MB
	9E	10E	11F	12F	13G	14G	15H	16H
	8192MB	8192MB	8192MB	8192MB	8192MB	8192MB	8192MB	8192MB

HP Memory

Following are memory options available from HP:

HP 2GB (2x1GB) Single Rank PC2-6400 (DDR2-800) Registered Memory Kit NOTE: Compatible with the AMD Opteron processor Models 2376 HE, 2378, 2381 HE, 2382, 2384, 2387, 2389, 2425 HE, 2427, and 2435.	497763-B21
HP 4GB (2x2GB) Single Rank PC2-5300 (DDR2-667) Registered Low Power Memory Kit NOTE: Compatible with the AMD Opteron processor Models 2347 HE, 2352, and 2356.	483401-B21
HP 4GB (2x2GB) Single Rank PC2-6400 (DDR2-800) Registered Memory Kit NOTE: Compatible with the AMD Opteron processor Models 2376 HE, 2378, 2381 HE, 2382, 2384, 2387, 2389, 2425 HE, 2427, and 2435.	497765-B21
HP 8GB (2x4GB) Dual Rank PC2-5300 (DDR2-667) Registered Memory Kit NOTE: Compatible with the AMD Opteron processor Models 2347 HE, 2352, and 2356.	408854-B21
HP 8GB (2x4GB) Dual Rank PC2-5300 (DDR2-667) Registered Low Power Memory Kit NOTE: Compatible with the AMD Opteron processor Models 2347 HE, 2352, and 2356.	483403-B21
HP 8GB (2x4GB) Dual Rank PC2-6400 (DDR2-800) Registered Memory Kit NOTE: Compatible with the AMD Opteron processor Models 2376 HE, 2378, 2381 HE, 2382, 2384, 2387, 2389, 2425 HE, 2427, and 2435.	497767-B21
HP 8GB (2x4GB) Dual Rank x4 PC2-6400 (DDR2-800) Registered Low Power Memory Kit NOTE: Compatible with the AMD Opteron processor Models 2376 HE, 2378, 2381 HE, 2382, 2384, 2387, 2389, 2425 HE, 2427, and 2435.	504351-B21
HP 16GB (2x8GB) Dual Rank PC2-5300 (DDR2-667) Registered Memory Kit NOTE: Compatible with the AMD Opteron processor Models 2347 HE, 2352, 2356, 2376 HE, 2378, 2381 HE, 2382, 2384, 2387, 2389, 2425 HE, 2427, and 2435.	408855-B21
HP 64GB (8x8GB) Dual Rank PC2-5300 (DDR2-667) Registered Memory Kit NOTE: Compatible with the AMD Opteron processor Models 2347 HE, 2352, 2356, 2376 HE, 2378, 2381 HE, 2382, 2384, 2387, 2389, 2425 HE, 2427, and 2435. NOTE: Must be installed in pairs. NOTE: DIMMs must be installed in decreasing capacity with the largest DIMMs installed in the banks furthest away from each processor. NOTE: The memory bus will operate at 800 MHz with four (4) or fewer DIMMs per processor, 667 MHz with six (6) DIMMs per processor, and 533 MHz with eight (8) DIMMs per processor.	495605-B21

Storage



1-2 2 x SATA Solid State Drives (SSD)

SATA Non-Hot Plug Solid State Drives

NOTE: Hard Drives have either a one year or three year warranty; refer to the specific hard drive QuickSpecs for details.

	Quantity Supported	Position Supported	Controller
32GB 1.5G SATA SSD	2	1-2	HP Integrated SATA Controller HP Smart Array P712m Controller
64GB 1.5G SATA SSD	2	1-2	HP Integrated SATA Controller HP Smart Array P712m Controller

Technical Specifications

System Unit	Dimensions (H x W x D) 7.154 x 2.19 x 20.058 in (18.17 x 5.56 x 50.95 cm)										
	<table border="0"> <tr> <td style="vertical-align: top;">Weight (approximate)</td> <td> <table border="0"> <tr> <td>Maximum</td> <td>14.20 lb (6.44 kg)</td> </tr> <tr> <td colspan="2">(all hard drives and processors installed)</td> </tr> <tr> <td>Minimum</td> <td>10.75 lb (4.87 kg)</td> </tr> <tr> <td colspan="2">(one hard drive and processor installed)</td> </tr> </table> </td> </tr> </table>	Weight (approximate)	<table border="0"> <tr> <td>Maximum</td> <td>14.20 lb (6.44 kg)</td> </tr> <tr> <td colspan="2">(all hard drives and processors installed)</td> </tr> <tr> <td>Minimum</td> <td>10.75 lb (4.87 kg)</td> </tr> <tr> <td colspan="2">(one hard drive and processor installed)</td> </tr> </table>	Maximum	14.20 lb (6.44 kg)	(all hard drives and processors installed)		Minimum	10.75 lb (4.87 kg)	(one hard drive and processor installed)	
Weight (approximate)	<table border="0"> <tr> <td>Maximum</td> <td>14.20 lb (6.44 kg)</td> </tr> <tr> <td colspan="2">(all hard drives and processors installed)</td> </tr> <tr> <td>Minimum</td> <td>10.75 lb (4.87 kg)</td> </tr> <tr> <td colspan="2">(one hard drive and processor installed)</td> </tr> </table>	Maximum	14.20 lb (6.44 kg)	(all hard drives and processors installed)		Minimum	10.75 lb (4.87 kg)	(one hard drive and processor installed)			
Maximum	14.20 lb (6.44 kg)										
(all hard drives and processors installed)											
Minimum	10.75 lb (4.87 kg)										
(one hard drive and processor installed)											
	<p>Power Specifications For power specifications including Input Requirements, BTU Rating, and Power Supply Output, please see the HP BladeSystem c-Class Enclosures QuickSpecs located at URL: HP BladeSystem c3000 Enclosure QuickSpecs: http://h18000.www1.hp.com/products/quickspecs/12790_div/12790_div.html HP BladeSystem c7000 Enclosure QuickSpecs: http://h18000.www1.hp.com/products/quickspecs/12810_div/12810_div.html</p> <p>To review typical system power ratings use the HP BladeSystem Power Sizer which is available via the online tool located at URL: http://www.hp.com/go/bladesystem/powercalculator</p>										
	<table border="0"> <tr> <td style="vertical-align: top;">System Inlet Temperature</td> <td> <table border="0"> <tr> <td>Operating</td> <td>10° to 35°C (50° to 95°F) at sea level with an altitude derating of 1.0°C per every 305 m (1.8°F per every 1000 ft) above sea level to a maximum of 3050 m (10,000 ft), no direct sustained sunlight. Maximum rate of change is 10°C/hr (18°F/hr). The upper limit may be limited by the type and number of options installed. System performance may be reduced if operating with a fan fault or above 30°C (86°F).</td> </tr> <tr> <td>Non-operating</td> <td>-30° to 60°C (-22° to 140°F). Maximum rate of change is 20°C/hr (36°F/hr).</td> </tr> </table> </td> </tr> </table>	System Inlet Temperature	<table border="0"> <tr> <td>Operating</td> <td>10° to 35°C (50° to 95°F) at sea level with an altitude derating of 1.0°C per every 305 m (1.8°F per every 1000 ft) above sea level to a maximum of 3050 m (10,000 ft), no direct sustained sunlight. Maximum rate of change is 10°C/hr (18°F/hr). The upper limit may be limited by the type and number of options installed. System performance may be reduced if operating with a fan fault or above 30°C (86°F).</td> </tr> <tr> <td>Non-operating</td> <td>-30° to 60°C (-22° to 140°F). Maximum rate of change is 20°C/hr (36°F/hr).</td> </tr> </table>	Operating	10° to 35°C (50° to 95°F) at sea level with an altitude derating of 1.0°C per every 305 m (1.8°F per every 1000 ft) above sea level to a maximum of 3050 m (10,000 ft), no direct sustained sunlight. Maximum rate of change is 10°C/hr (18°F/hr). The upper limit may be limited by the type and number of options installed. System performance may be reduced if operating with a fan fault or above 30°C (86°F).	Non-operating	-30° to 60°C (-22° to 140°F). Maximum rate of change is 20°C/hr (36°F/hr).				
System Inlet Temperature	<table border="0"> <tr> <td>Operating</td> <td>10° to 35°C (50° to 95°F) at sea level with an altitude derating of 1.0°C per every 305 m (1.8°F per every 1000 ft) above sea level to a maximum of 3050 m (10,000 ft), no direct sustained sunlight. Maximum rate of change is 10°C/hr (18°F/hr). The upper limit may be limited by the type and number of options installed. System performance may be reduced if operating with a fan fault or above 30°C (86°F).</td> </tr> <tr> <td>Non-operating</td> <td>-30° to 60°C (-22° to 140°F). Maximum rate of change is 20°C/hr (36°F/hr).</td> </tr> </table>	Operating	10° to 35°C (50° to 95°F) at sea level with an altitude derating of 1.0°C per every 305 m (1.8°F per every 1000 ft) above sea level to a maximum of 3050 m (10,000 ft), no direct sustained sunlight. Maximum rate of change is 10°C/hr (18°F/hr). The upper limit may be limited by the type and number of options installed. System performance may be reduced if operating with a fan fault or above 30°C (86°F).	Non-operating	-30° to 60°C (-22° to 140°F). Maximum rate of change is 20°C/hr (36°F/hr).						
Operating	10° to 35°C (50° to 95°F) at sea level with an altitude derating of 1.0°C per every 305 m (1.8°F per every 1000 ft) above sea level to a maximum of 3050 m (10,000 ft), no direct sustained sunlight. Maximum rate of change is 10°C/hr (18°F/hr). The upper limit may be limited by the type and number of options installed. System performance may be reduced if operating with a fan fault or above 30°C (86°F).										
Non-operating	-30° to 60°C (-22° to 140°F). Maximum rate of change is 20°C/hr (36°F/hr).										
	<table border="0"> <tr> <td style="vertical-align: top;">Relative Humidity (non-condensing)</td> <td> <table border="0"> <tr> <td>Operating</td> <td>10 to 90% relative humidity (Rh), 28°C (82.4°F) maximum wet bulb temperature, non-condensing.</td> </tr> <tr> <td>Non-operating</td> <td>5 to 95% relative humidity (Rh), 38.7°C (101.7°F) maximum wet bulb temperature, non-condensing.</td> </tr> </table> </td> </tr> </table>	Relative Humidity (non-condensing)	<table border="0"> <tr> <td>Operating</td> <td>10 to 90% relative humidity (Rh), 28°C (82.4°F) maximum wet bulb temperature, non-condensing.</td> </tr> <tr> <td>Non-operating</td> <td>5 to 95% relative humidity (Rh), 38.7°C (101.7°F) maximum wet bulb temperature, non-condensing.</td> </tr> </table>	Operating	10 to 90% relative humidity (Rh), 28°C (82.4°F) maximum wet bulb temperature, non-condensing.	Non-operating	5 to 95% relative humidity (Rh), 38.7°C (101.7°F) maximum wet bulb temperature, non-condensing.				
Relative Humidity (non-condensing)	<table border="0"> <tr> <td>Operating</td> <td>10 to 90% relative humidity (Rh), 28°C (82.4°F) maximum wet bulb temperature, non-condensing.</td> </tr> <tr> <td>Non-operating</td> <td>5 to 95% relative humidity (Rh), 38.7°C (101.7°F) maximum wet bulb temperature, non-condensing.</td> </tr> </table>	Operating	10 to 90% relative humidity (Rh), 28°C (82.4°F) maximum wet bulb temperature, non-condensing.	Non-operating	5 to 95% relative humidity (Rh), 38.7°C (101.7°F) maximum wet bulb temperature, non-condensing.						
Operating	10 to 90% relative humidity (Rh), 28°C (82.4°F) maximum wet bulb temperature, non-condensing.										
Non-operating	5 to 95% relative humidity (Rh), 38.7°C (101.7°F) maximum wet bulb temperature, non-condensing.										
	<table border="0"> <tr> <td style="vertical-align: top;">Altitude</td> <td> <table border="0"> <tr> <td>Operating</td> <td>3050 m (10,000 ft). This value may be limited by the type and number of options installed.</td> </tr> <tr> <td>Non-operating</td> <td>Maximum allowable altitude change rate is 457 m/min (1500 ft/min).</td> </tr> </table> </td> </tr> </table>	Altitude	<table border="0"> <tr> <td>Operating</td> <td>3050 m (10,000 ft). This value may be limited by the type and number of options installed.</td> </tr> <tr> <td>Non-operating</td> <td>Maximum allowable altitude change rate is 457 m/min (1500 ft/min).</td> </tr> </table>	Operating	3050 m (10,000 ft). This value may be limited by the type and number of options installed.	Non-operating	Maximum allowable altitude change rate is 457 m/min (1500 ft/min).				
Altitude	<table border="0"> <tr> <td>Operating</td> <td>3050 m (10,000 ft). This value may be limited by the type and number of options installed.</td> </tr> <tr> <td>Non-operating</td> <td>Maximum allowable altitude change rate is 457 m/min (1500 ft/min).</td> </tr> </table>	Operating	3050 m (10,000 ft). This value may be limited by the type and number of options installed.	Non-operating	Maximum allowable altitude change rate is 457 m/min (1500 ft/min).						
Operating	3050 m (10,000 ft). This value may be limited by the type and number of options installed.										
Non-operating	Maximum allowable altitude change rate is 457 m/min (1500 ft/min).										
	<p>Acoustic Noise For acoustic noise specifications, please see the HP BladeSystem c-Class Enclosures QuickSpecs located at URL: HP BladeSystem c3000 Enclosure QuickSpecs: http://h18000.www1.hp.com/products/quickspecs/12790_div/12790_div.html HP BladeSystem c7000 Enclosure QuickSpecs: http://h18000.www1.hp.com/products/quickspecs/12810_div/12810_div.html</p>										

Technical Specifications

Embedded NC532i DualType Port Flex-10 10GbE Multifunction Server Adapter	Network Processor	Integrated dual-port KR 10GbE Broadcom 57711
	Data Transfer Method	x8 PCI Express 1.0
	Network Transfer Rate	Two ports, each at 20 Gbps full duplex; 40 Gbps aggregate full duplex theoretical bandwidth NOTE: Each port is autosensing 1 Gb / 10 Gb, and can interoperate with 1 Gb HP BladeSystem c-Class interconnect components. NOTE: Each port on the NC532i adapter transmits from the server at only 20 Gbps (theoretical) full duplex.
	IEEE Compliance	802.1p QoS, 802.1Q VLAN tagging, 802.3ad link aggregation, 802.3ap 10GBase-KR, and 802.3x flow control
	Standard Features	<ul style="list-style-type: none"> • ProLiant Teaming including Network Fault Tolerance, Transmit Load Balancing, and Switch-Assisted Load Balancing • 4K Jumbo frames • Microsoft Windows Receive Side Scaling (RSS) • Optional accelerated iSCSI

HP Integrated Lights-Out 2 (iLO 2) integrated on system board	Architecture	32-bit PCI-based health and remote management ASIC
	Processor	32-bit RISC processor core running at 66MHz
	Upgradeability	Option firmware upgradeable via Flash ROM
	Operating System Support	Microsoft Windows Server 2008 Standard Edition (32bit and 64bit) Microsoft Windows Server 2008 Enterprise Edition (32bit and 64bit) Microsoft Windows Server 2003 and Windows Server 2003 R2, and Windows Server 2003 for Extended Systems Standard Edition, Enterprise Edition Red Hat Enterprise Linux 5.4 (32bit and 64bit) SUSE LINUX Enterprise Server 11 (32bit and 64bit) SUSE LINUX Enterprise Server 10 (32bit and 64bit) VMware ESX 4.0 VMware ESX 3.5.0 Microsoft Windows XP Professional Edition Microsoft Windows Vista Business and Ultimate Editions Red Hat Enterprise Linux Desktop 5.00 SUSE Linux Enterprise Desktop 11 SUSE Linux Enterprise Desktop 10
	Client Browser Support	Microsoft Internet Explorer 7 Microsoft Internet Explorer 6 Firefox 3.5 (on supported Windows and Linux systems) Firefox 3.0 (on supported Windows and Linux systems)
	Command Line Support	Telnet, Secure Shell and serial port access Secure Socket Layer Secure Shell version 2 (Password and certificate)
	Security	Advanced Encryption Standard (AES) and Triple Data Encryption Standard (3DES) on browser, CLP and XML scripting interface RC4 encryption of video
	Directory Support Services	Active Directory v1.0 (Windows 2003)
	Driver Support	Health Driver (HP ProLiant iLO 2 Management Controller Driver) iLO Management Channel Interface Driver

Technical Specifications

Management protocols supported	SNMP 2, IPMI 2.0 (KCS interface), DMTF Server Management Command Line Protocol Specification (SM CLP), DMTF Web Services Management Specification (WS Management)
---------------------------------------	---

Environment-friendly Products and Approach

End-of-life Management and Recycling

Hewlett-Packard offers end-of-life HP product return, trade-in, and recycling programs in many geographic areas. For trade-in information, please go to: <http://www.hp.com/go/green>. To recycle your product, please go to: <http://www.hp.com/go/green> or contact your nearest HP sales office. Products returned to HP will be recycled, recovered or disposed of in a responsible manner.

The EU WEEE directive (2002/95/EC) requires manufacturers to provide treatment information for each product type for use by treatment facilities. This information (product disassembly instructions) is posted on the Hewlett Packard web site at: <http://www.hp.com/go/green>. These instructions may be used by recyclers and other WEEE treatment facilities as well as HP OEM customers who integrate and re-sell HP equipment.

© Copyright 2010 Hewlett-Packard Development Company, L.P.

The information contained herein is subject to change without notice.

Microsoft and Windows NT are US registered trademarks of Microsoft Corporation.

AMD is a US registered trademark of AMD Corporation.

The only warranties for HP products and services are set forth in the express warranty statements accompanying such products and services. Nothing herein should be construed as constituting an additional warranty. HP shall not be liable for technical or editorial errors or omissions contained herein.

For hard drives, 1GB = 1 billion bytes. Actual formatted capacity is less.