



## For System Storage EXP2512 and EXP2524 Express Storage Enclosures

Use the instructions in this document to install an IBM® System Storage® EXP2512 Express Storage™ Enclosure or an IBM System Storage EXP2524 Express Storage Enclosure in a rack cabinet.

Review the documentation that comes with your rack cabinet for safety and cabling information.

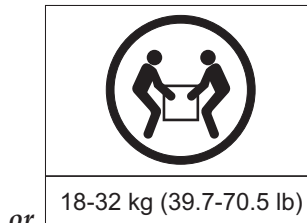
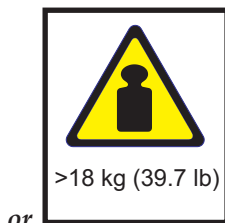
When you install the storage enclosure in a rack cabinet, review the following guidelines:

- If the storage enclosure is fully configured, two people are required to install the device in a rack cabinet. To reduce the weight of the device for easier installation in a rack, remove the hard disk drives and power supplies.
- Make sure that the room air temperature is below 35°C (95°F).
- Do not block any air vents; usually, 15 cm (6 in.) of air space provides proper airflow.
- Plan the device installation starting from the bottom of the rack cabinet.
- Install the heaviest device in the bottom of the rack cabinet.
- Do not extend more than one device out of the rack cabinet at the same time.
- Do not leave open spaces above or below devices in a rack cabinet. To help prevent damage to device components, always install a blank filler panel to cover the open space and to help ensure proper air circulation.
- Connect all power cords to properly wired and grounded electrical outlets.
- Do not overload the power outlet when you install multiple devices in the rack.
- Do not set the unit on a flat surface if the chassis bezels are installed.
- Make sure that the rack depth (front to back, measured inside the vertical rails) is 584 - 828 mm (23 - 32.6 in.).
- The storage enclosure requires 2 U of vertical space in the rack cabinet.

**Note:** The rack cabinet must meet the Electronic Industries Association (EIA) Standard EIA-310-D for 482.6 mm (19-in.) racks, published August 24, 1992. The EIA-310-D standard specifies internal dimensions, for example, the width of the rack opening (width of the chassis), the width of the module mounting flanges, the mounting hole spacing, and the depth of the mounting flanges. The EIA-310-D standard does not control the overall external width of the rack. There are no restrictions on the location of side walls and corner posts relative to the internal mounting space.



**CAUTION:**



The weight of this part or unit is between 18 and 32 kg (39.7 and 70.5 lb). It takes two persons to safely lift this part or unit. (C009)

## DANGER

Rack-mounted devices are not to be used as shelves or work spaces.

(L002)



You will need a 5 mm (3/16-in.) flat-blade screwdriver during the installation. A #2 Phillips screwdriver and an 8 mm wrench are optional.

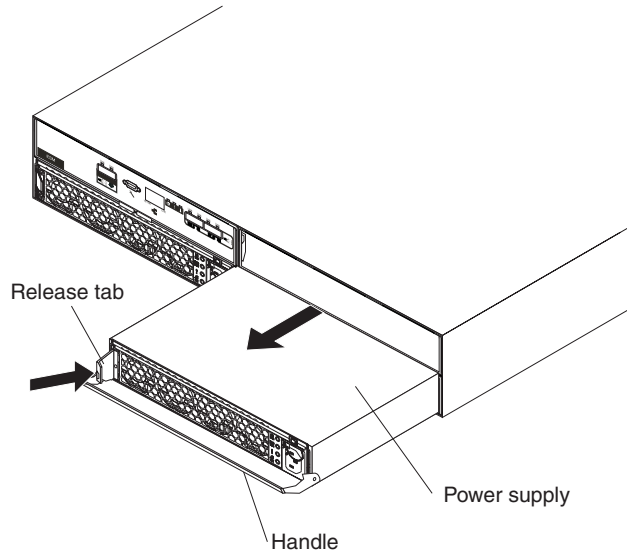
The following is a list of items that you need to install the storage enclosure in the rack cabinet. If any items are missing or damaged, contact your place of purchase.

- Rail assembly (2)
- M5 screws (8)
- Medium diameter bracket pins (8) (these come installed, four in each rail)
- Small and large diameter bracket pins (8) (for installation in non-IBM rack cabinets)

**Note:** For handling guidelines before removing any static-sensitive devices, see the documentation that comes with the storage enclosure.

To install the storage enclosure in a rack cabinet, complete the following steps:

1. Read the safety information that comes with the storage enclosure.
2. (Optional) To reduce the weight of the storage enclosure for easier installation in the rack cabinet, remove the power supplies. To remove a power supply, complete the following steps:
  - a. On the left side of a power supply, press the orange release tab to the right just enough to release the handle [no more than 6.4 mm (0.24 in.)] as you rotate the handle downward.

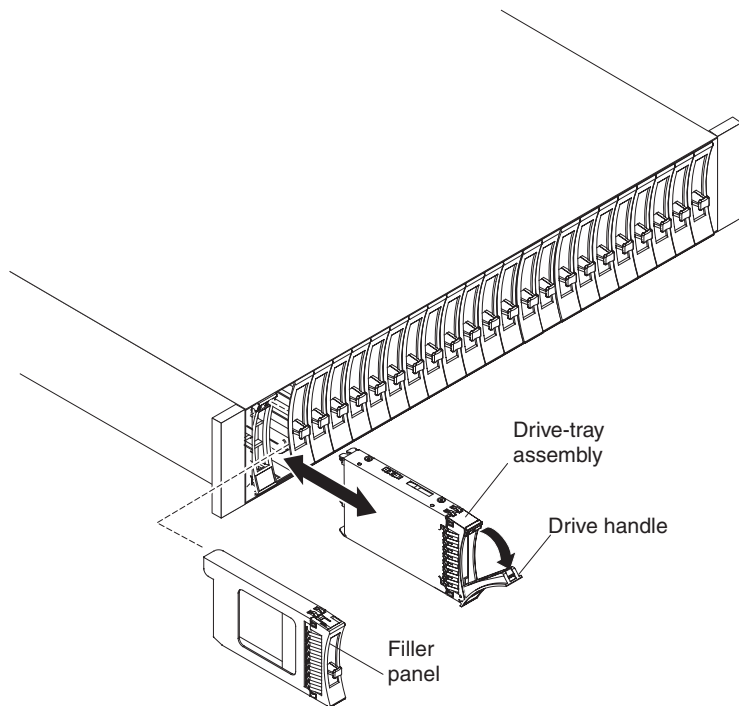


- b. Carefully slide the power supply out of the storage enclosure.
    - c. Repeat this step for the other power supply; then, set both units aside for later installation.

3. (Optional) To reduce the weight of the storage enclosure for easier installation in the rack cabinet, remove the hard disk drives. Repeat this step for all hard disk drives.

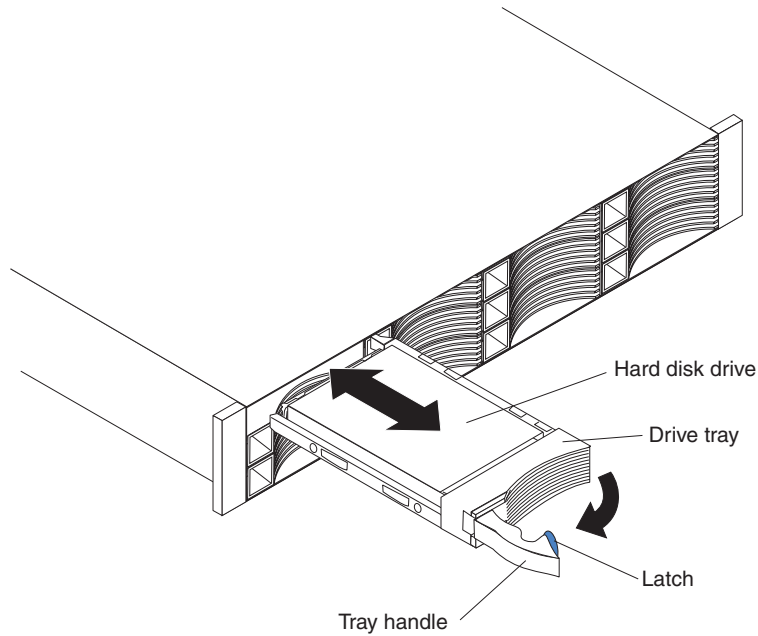
**Notes:**

- a. Before you remove any hard disk drives, make sure that you mark their locations so that you can reinstall them in the same locations.
  - b. Handle hard disk drives gently and do not stack them. Follow all precautions for static-sensitive devices.
- **To remove a 2.5-inch hard disk drive:**
    - a. Slide the release latch (orange) up gently to unlock the drive handle.

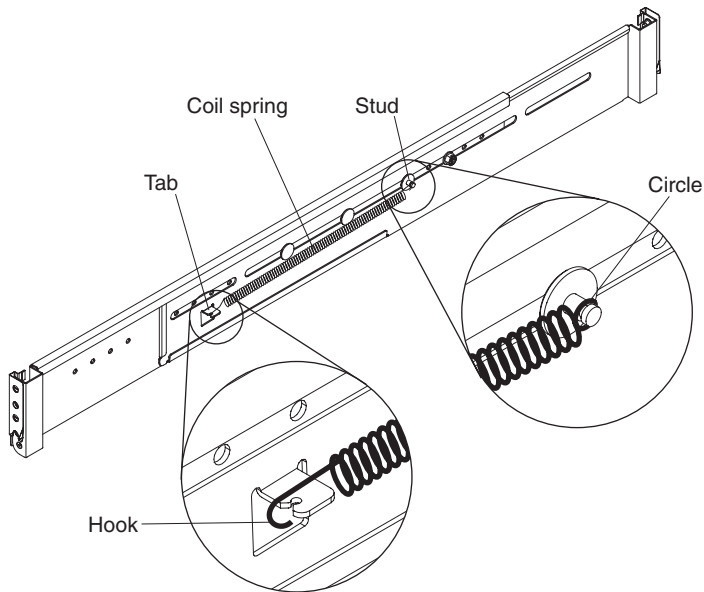


- b. Grasp the handle and pull the drive partially out of the bay and wait at least 20 seconds before you remove the drive from the EXP2500. This enables the drive to spin down and avoids possible damage to the drive.
- c. Make sure that there is proper identification (such as a label) on the hard disk drive; then, gently slide it completely out of the EXP2500.

- To remove a 3.5-inch hard disk drive:
  - a. Press the latch on the right end of the tray handle to release it.



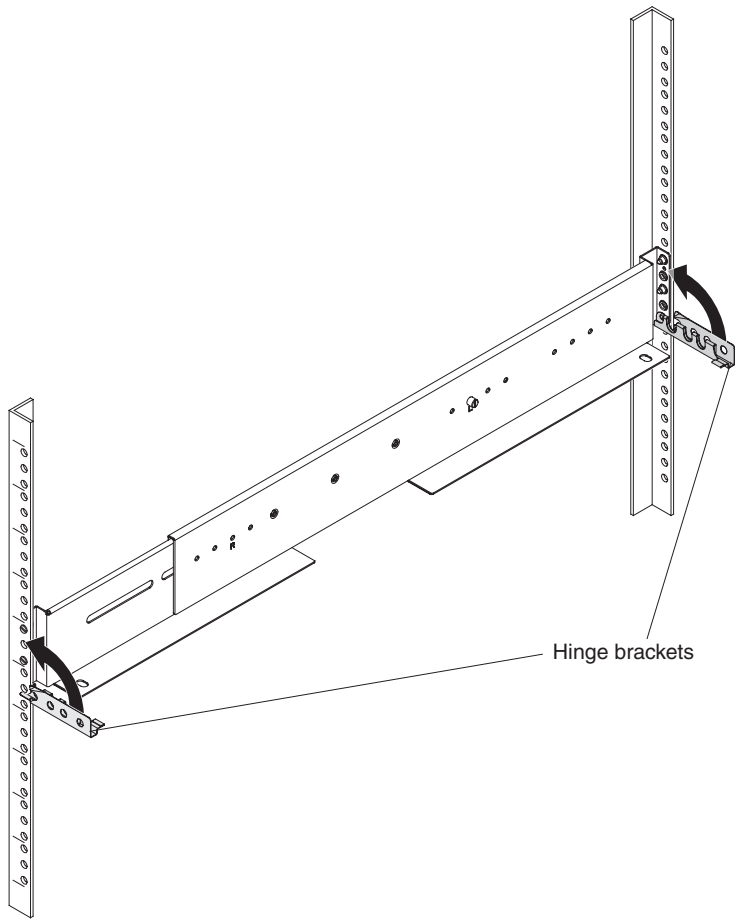
- b. Pull out the tray handle to the open position.
  - c. Grasp the handle and pull the drive partially out of the bay and wait at least 20 seconds before you remove the drive from the EXP2500. This enables the drive to spin down and avoids possible damage to the drive.
  - d. Make sure that there is proper identification (such as a label) on the hard disk drive; then, gently slide it completely out of the EXP2500.
4. To attach the springs to the rails, complete the following steps:
  - a. Remove the spring that is taped to the rail.
  - b. Attach the circle end of the spring around the stud on the rail.



- c. Pulling on the spring, attach the hook end of the spring to the tab on the rail.
  - d. Repeat step 4 for the other rail.

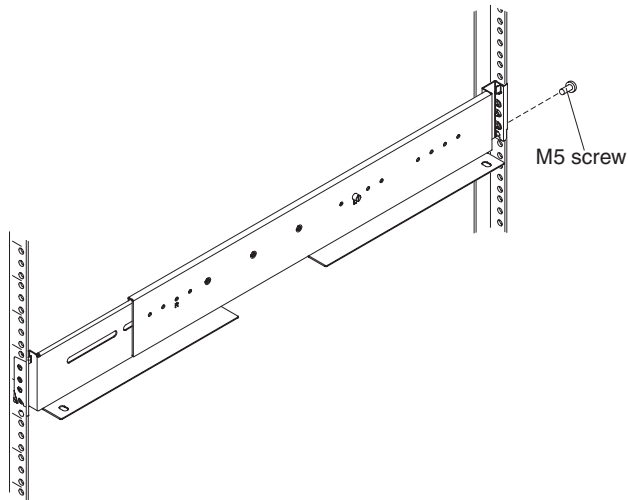


- c. On the rear of the rail, press the two bracket pins into the holes in the rack flanges and close the rear hinge bracket to secure the rail to the rack cabinet flange.

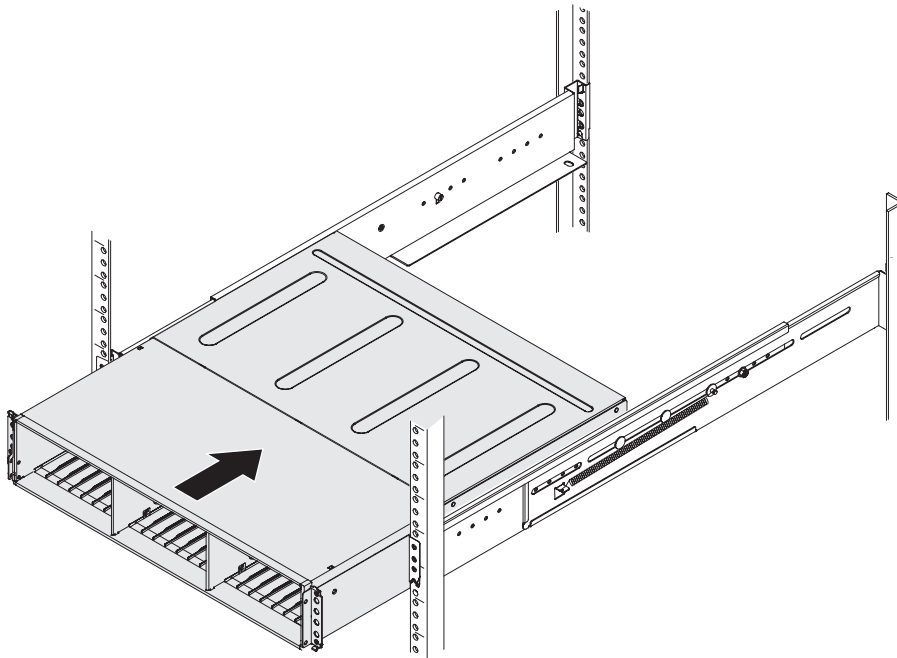


- d. On the front of the rail, press the two bracket pins into the holes in the rack flanges and close the front hinge bracket to secure the rail to the rack cabinet flange.

- e. Secure the rear of the rail to the rear rack flange with one M5 screw in the bottom open hole in the bracket.

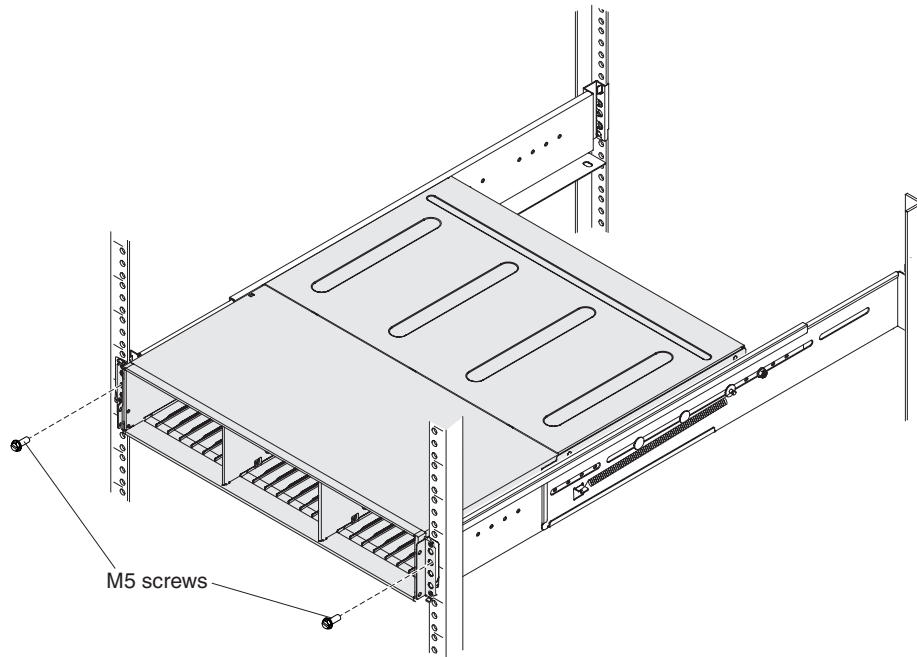


- f. Repeat step 5a on page 6 to step 5d on page 7 for the other rail.  
6. Slide the storage enclosure into the rack cabinet.

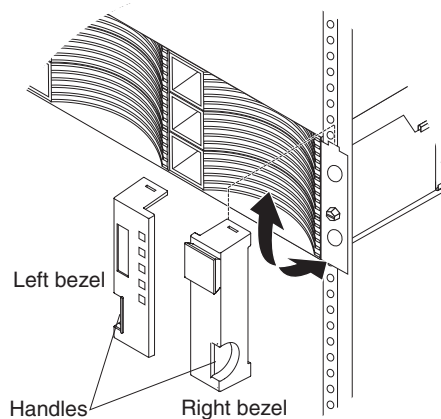




- Secure the front of the storage enclosure to the rack flanges with one M5 screw in the bottom open hole in each bracket.



- Reverse the procedures in step 2 on page 3 and step 3 on page 4 to reinstall the power supplies and hard disk drives.
- Connect a power cord to each power supply. Use the power-cord guide for strain relief to prevent the power cord from disconnecting accidentally.
- Install the left bezel (it has the LEDs) and the right bezel. Fit the slot on the top of the bezel over the tab on the chassis flange and rotate the bezel down until it snaps into place. Make sure that the inside surface of the bezel is flush with the chassis.



For more information about installing and operating the storage enclosure, see the *IBM System Storage EXP2512 Express Storage Enclosure* and *IBM System Storage EXP2524 Express Storage Enclosure Installation, User's, and Maintenance Guide* on the IBM Documentation CD that comes with the storage enclosure.

---

**First Edition (November 2010)**

IBM is a trademark of International Business Machines Corporation in the United States, other countries, or both.  
Other company, product, or service names may be trademarks or service marks of others.

Printed in USA

© **Copyright IBM Corporation 2010.**

US Government Users Restricted Rights – Use, duplication or disclosure restricted by GSA ADP Schedule Contract with IBM Corp.

(1P) P/N: 68Y9460

